

## Worm Geared Motors MEG with One-Stage Worm Gear Unit

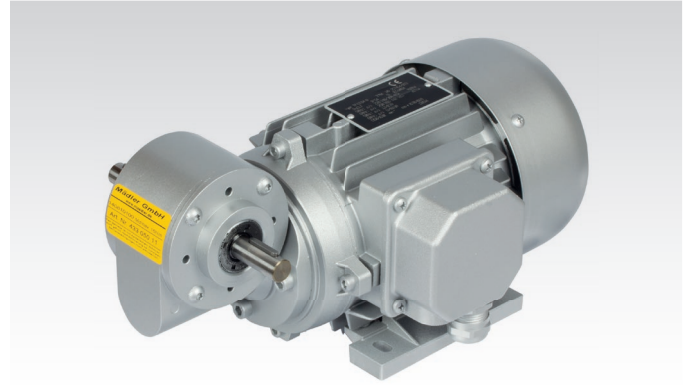
230/400V, 50Hz, IP54, isolation class F, can also be connected to alternating current using an operating capacitor.

General data page 771.

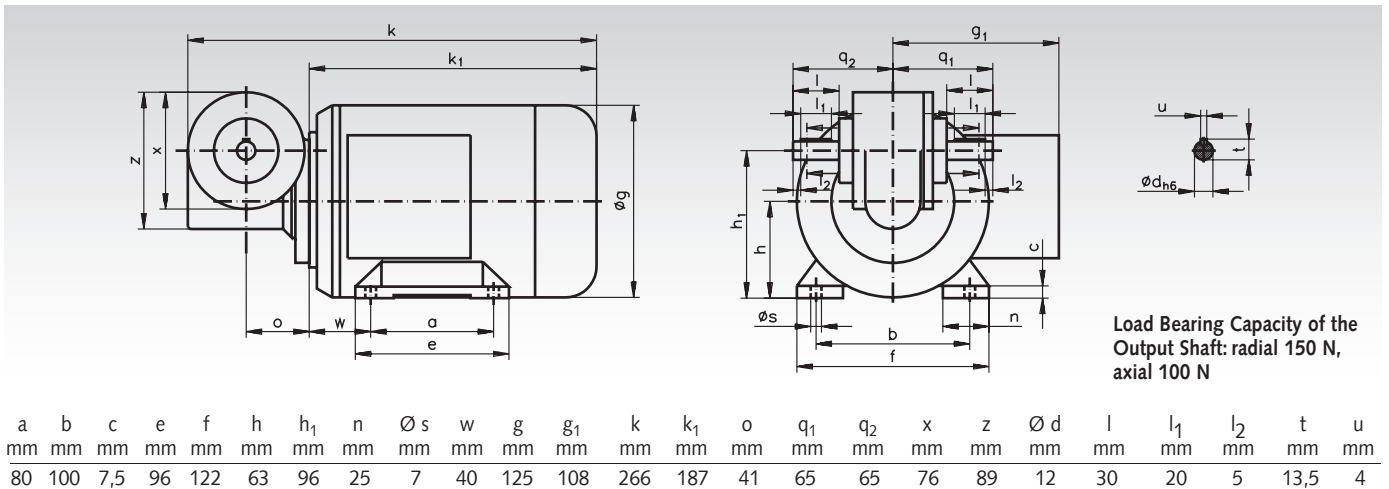
Motor and gearbox with roller bearing.

Worms hardened and ground.

Worm gears made from special brass.



Ordering details: Type, Voltage/Frequency, poss. Operating Capacitor, Motor Data, Ratio, Product No.



Dimensions without stated tolerances are non-binding!

### Motor Data 180 Watt, 1400 min<sup>-1</sup>, ca. 0.7 A at 400 Volt

Product No.	Output-Speed min <sup>-1</sup>	Ratio i =	Permiss. Torque at the Output Shaft Nm	Weight kg	Product No. Operating Capacitor 20µF
433 05 005	280	5 : 1	4,8	6,2	436 362 00
433 05 007	200	7 : 1	6,4	6,2	436 362 00
433 05 011	124	11 : 1	9,3	6,2	436 362 00
433 05 015	93	15 : 1	11	6,2	436 362 00
433 05 017	82	17 : 1	13	6,2	436 362 00
433 05 020	70	20 : 1	14	6,2	436 362 00
433 05 024	58	24 : 1	15	6,2	436 362 00
433 05 030	47	30 : 1	15*	6,2	436 362 00
433 05 032	44	32 : 1	16*	6,2	436 362 00
433 05 038	37	38 : 1	17*	6,2	436 362 00
433 05 056	25	56 : 1	12*	6,2	436 362 00
433 05 075	19	75 : 1	11*	6,2	436 362 00

\* Stability related max. torque.

### Motor Data 250 Watt, 2800 min<sup>-1</sup>, ca. 0.75 A at 400 Volt

Product No.	Output-Speed min <sup>-1</sup>	Ratio i =	Permiss. Torque at the Output Shaft Nm	Weight kg	Product No. Operating Capacitor 25µF
433 06 005	560	5 : 1	3,5	6,3	436 363 00
433 06 007	400	7 : 1	4,6	6,3	436 363 00
433 06 011	247	11 : 1	6,8	6,3	436 363 00
433 06 015	187	15 : 1	8,3	6,3	436 363 00
433 06 017	165	17 : 1	9,6	6,3	436 363 00
433 06 020	140	20 : 1	10	6,3	436 363 00
433 06 024	117	24 : 1	11	6,3	436 363 00
433 06 030	93	30 : 1	13	6,3	436 363 00
433 06 032	88	32 : 1	14	6,3	436 363 00
433 06 038	74	38 : 1	15	6,3	436 363 00
433 06 056	50	56 : 1	12*	6,3	436 363 00
433 06 075	37	75 : 1	11*	6,3	436 363 00

\* Stability related max. torque.

Frequency Inverters  
Page 744

