

Worm Geared Motors MZ with Two-Stage Worm Gears

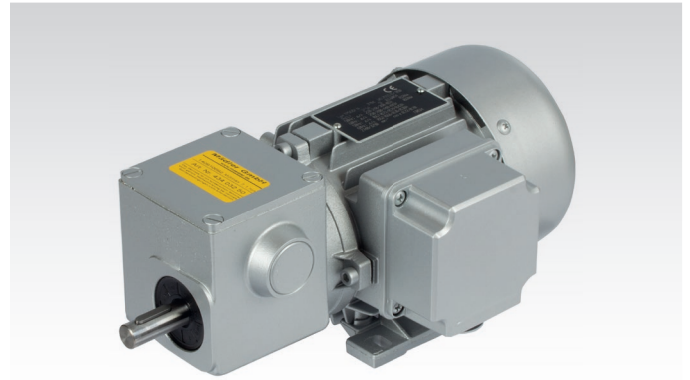
230/400V, 50Hz, IP54, isolation class F, can also be connected to alternating current using an operating capacitor.

General data page 771.

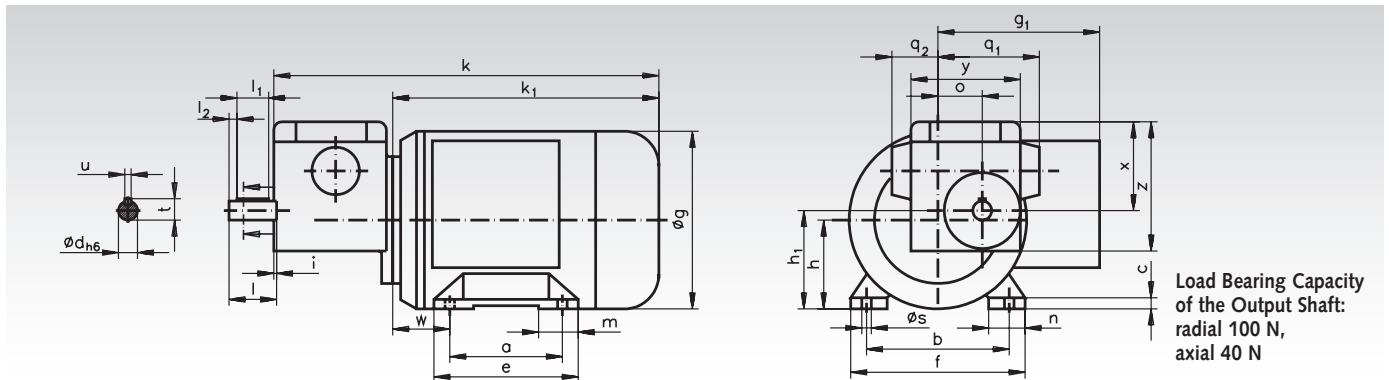
Motor and gearbox with roller bearing.

Worms hardened and ground.

Worm gears made from special bronze.



Ordering details: Type, Voltage/Frequency, possibly Operating Capacitor, Motor Data, Ratio, Product No.



a	b	c	e	f	h	h ₁	m	n	Øs	w	g	g ₁	k	k ₁	o	q ₁	q ₂	x	y	z	Ød	i	l	l ₁	l ₂	t	u	
mm	mm	mm	mm	mm	mm	mm	mm	mm	mm	mm	mm	mm	mm	mm	mm	mm	mm	mm	mm	mm	mm	mm	mm	mm	mm	mm	mm	mm
71	90	6	84	110	56	62	22	23	6	36	112	102	243	168	28	64	30	56	70	81	12	1	30	20	5	13,5	4	

Dimensions without stated tolerances are non-binding!

Motor Data 90 Watt, 1400 min⁻¹, ca. 0.45 A at 400 Volt

Product No.	Output-Speed min ⁻¹	Ratio i =	Permiss. Torque at the Output Shaft Nm	Weight kg	Product No. Operating Capacitor 10µF
434 02 012	112	12,5 : 1	4,8*	4,2	436 359 00
434 02 025	56	25 : 1	7,8*	4,2	436 359 00
434 02 050	28	50 : 1	7,8*	4,2	436 359 00
434 02 070	20	70 : 1	7,1*	4,2	436 359 00
434 02 100	14	100 : 1	6,1*	4,2	436 359 00
434 02 125	11	125 : 1	7,8*	4,2	436 359 00
434 02 250	5,6	250 : 1	7,1*	4,2	436 359 00
434 02 400	3,5	400 : 1	7,4*	4,2	436 359 00
434 02 750	1,9	750 : 1	7,1*	4,2	436 359 00
434 02 990	1,1	1250 : 1	6,1*	4,2	436 359 00
434 02 992	0,9	1500 : 1	7,1*	4,2	436 359 00

* Stability related max. torque.

Motor Data 120 Watt, 2800 min⁻¹, ca. 0.5 A at 400 Volt

Product No.	Output-Speed min ⁻¹	Ratio i =	Permiss. Torque at the Output Shaft Nm	Weight kg	Product No. Operating Capacitor 16µF
434 03 012	224	12,5 : 1	3,4	4,2	436 361 00
434 03 025	112	25 : 1	6,6	4,2	436 361 00
434 03 050	56	50 : 1	7,8*	4,2	436 361 00
434 03 070	40	70 : 1	7,1*	4,2	436 361 00
434 03 100	28	100 : 1	6,1*	4,2	436 361 00
434 03 125	22	125 : 1	7,8*	4,2	436 361 00
434 03 250	11	250 : 1	7,1*	4,2	436 361 00
434 03 400	7	400 : 1	7,4*	4,2	436 361 00
434 03 750	3,7	750 : 1	7,1*	4,2	436 361 00
434 03 990	2,2	1250 : 1	6,1*	4,2	436 361 00
434 03 992	1,9	1500 : 1	7,1*	4,2	436 361 00

* Stability related max. torque.

Frequency Inverters
Page 744

