

Worm Geared Motors RL with Two-Stage Worm Gears

230/400V, 50Hz, IP54, isolation class F, can also be connected to alternating current using an operating capacitor.

General data page 771.

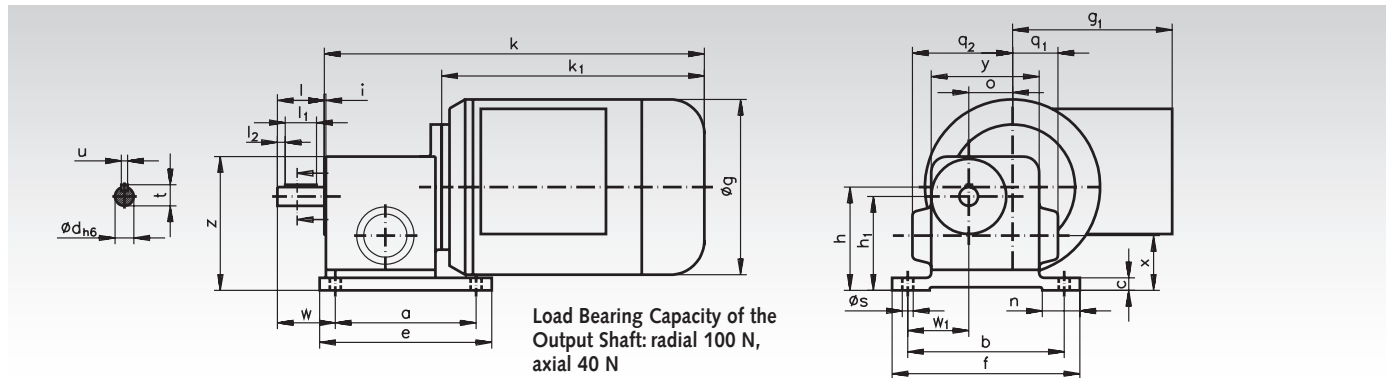
Motor and gearbox with roller bearings.

Worms hardened and ground.

Worm gears made from special brass.



Ordering details: Type, Voltage/Frequency, possibl. Operating Capacitor, Motor Data, Ratio, Product No.



a	b	c	e	f	h	h ₁	n	Øs	w	w ₁	g	g ₁	k	k ₁	o	q ₁	q ₂	x	y	z	Ød	i	l	l ₁	l ₂	t	u
90	100	8	110	120	66	60	24	6	37	40	112	102	243	168	28	30	64	35	70	85	12	1	30	20	5	13,5	4

Dimensions without stated tolerances are non-binding!

Motor Data 90 Watt, 1400 min⁻¹, ca. 0.45 A at 400 Volt

Product No.	Output-Speed min ⁻¹	Ratio i =	Permiss. Torque at the Output Shaft Nm	Weight kg	Product No. Operating Capacitor 10µF
434 05 012	112	12,5 : 1	4,8	4,2	436 359 00
434 05 025	56	25 : 1	7,8*	4,2	436 359 00
434 05 050	28	50 : 1	7,8*	4,2	436 359 00
434 05 070	20	70 : 1	7,1*	4,2	436 359 00
434 05 100	14	100 : 1	6,1*	4,2	436 359 00
434 05 125	11	125 : 1	7,8*	4,2	436 359 00
434 05 250	5,6	250 : 1	7,1*	4,2	436 359 00
434 05 400	3,5	400 : 1	7,4*	4,2	436 359 00
434 05 750	1,9	750 : 1	7,1*	4,2	436 359 00
434 05 990	1,1	1250 : 1	6,1*	4,2	436 359 00
434 05 992	0,9	1500 : 1	7,1*	4,2	436 359 00

* Stability related
max. torque.

Motor Data 120 Watt, 2800 min⁻¹, ca. 0.5 A at 400 Volt

Product No.	Output-Speed min ⁻¹	Ratio i =	Permiss. Torque at the Output Shaft Nm	Weight kg	Product No. Operating Capacitor 16µF
434 06 012	224	12,5 : 1	3,4	4,2	436 361 00
434 06 025	112	25 : 1	6,6	4,2	436 361 00
434 06 050	56	50 : 1	7,8*	4,2	436 361 00
434 06 070	40	70 : 1	7,1*	4,2	436 361 00
434 06 100	28	100 : 1	6,1*	4,2	436 361 00
434 06 125	22	125 : 1	7,8*	4,2	436 361 00
434 06 250	11	250 : 1	7,1*	4,2	436 361 00
434 06 400	7	400 : 1	7,4*	4,2	436 361 00
434 06 750	3,7	750 : 1	7,1*	4,2	436 361 00
434 06 990	2,2	1250 : 1	6,1*	4,2	436 361 00
434 06 992	1,9	1500 : 1	7,1*	4,2	436 361 00

* Stability related
max. torque.