

Worm Geared Motors RM with Two-Stage Worm Gears

230/400V, 50Hz, IP54, isolation class F, can also be connected to alternating current using an operating capacitor.

General data page 771.

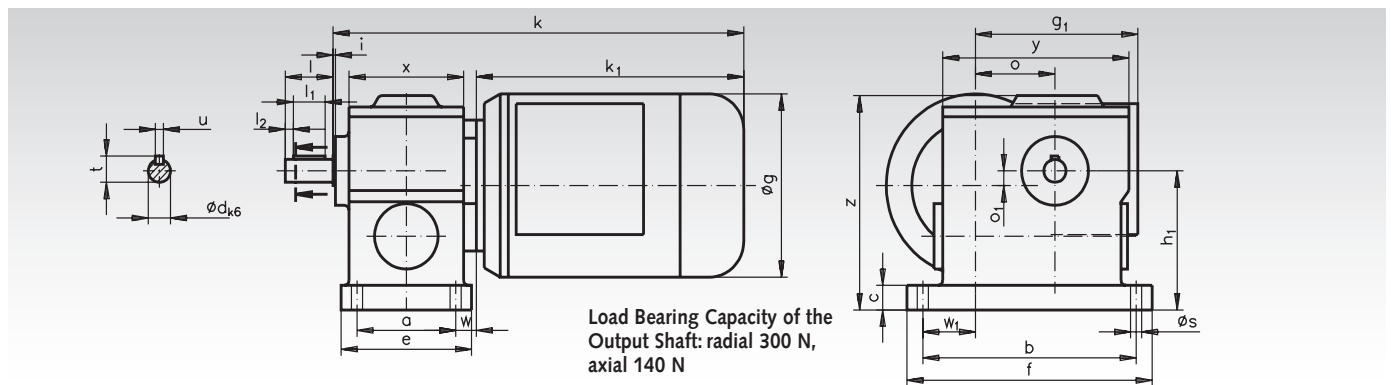
Motor and gearbox with roller bearing.

Worms hardened and ground.

Worm gears made from special brass.



Ordering details: Type, Voltage/Frequency, possibly Operating Capacitor, Motor Data, Ratio, Product No.



a	b	c	e	f	h ₁	Øs	w	w ₁	g	g ₁	k	k ₁	o	o ₁	x	y	z	Ød	i	l	l ₁	l ₂	t	u
mm	mm	mm	mm	mm	mm	mm	mm	mm	mm	mm	mm	mm	mm	mm	mm	mm	mm	mm	mm	mm	mm	mm	mm	mm
62	134	15	82	154	85	6,6	13	33	112	102	258	168	50	9	72	117	131	14	1,5	30	20	5	16	5

Dimensions without stated tolerances are non-binding!

Motor Data 90 Watt, 1400 min⁻¹, ca. 0.45 A at 400 Volt

Product No.	Output-Speed min ⁻¹	Ratio i =	Permiss. Torque at the Output Shaft Nm	Weight kg	Product No. Operating Capacitor 10µF
434 08 050	28	50 : 1	18	5,7	436 359 00
434 08 100	14	100 : 1	32	5,7	436 359 00
434 08 200	7	200 : 1	35*	5,7	436 359 00
434 08 300	4,7	300 : 1	36*	5,7	436 359 00
434 08 380	3,7	380 : 1	35*	5,7	436 359 00
434 08 500	2,8	500 : 1	35*	5,7	436 359 00
434 08 750	1,9	750 : 1	36*	5,7	436 359 00
434 08 988	1,2	1140 : 1	36*	5,7	436 359 00
434 08 992	0,9	1500 : 1	36*	5,7	436 359 00
434 08 996	0,6	2250 : 1	36*	5,7	436 359 00

* Stability related max. torque.

Motor Data 120 Watt, 2800 min⁻¹, ca. 0.5 A at 400 Volt

Product No.	Output-Speed min ⁻¹	Ratio i =	Permiss. Torque at the Output Shaft Nm	Weight kg	Product No. Operating Capacitor 16µF
434 09 050	56	50 : 1	13	5,7	436 361 00
434 09 100	28	100 : 1	23	5,7	436 361 00
434 09 200	14	200 : 1	35*	5,7	436 361 00
434 09 300	9,3	300 : 1	36*	5,7	436 361 00
434 09 380	7,4	380 : 1	35*	5,7	436 361 00
434 09 500	5,6	500 : 1	35*	5,7	436 361 00
434 09 750	3,7	750 : 1	36*	5,7	436 361 00
434 09 988	2,5	1140 : 1	36*	5,7	436 361 00
434 09 992	1,9	1500 : 1	36*	5,7	436 361 00
434 09 996	1,2	2250 : 1	36*	5,7	436 361 00

* Stability related max. torque.

Frequency Inverters
Page 744

