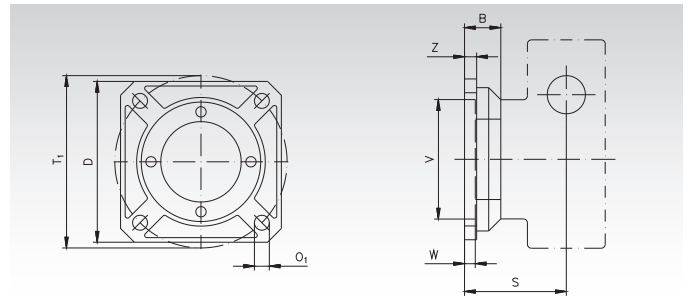
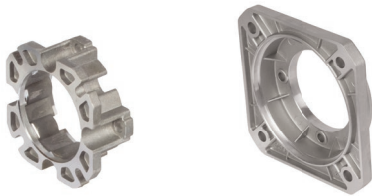


Accessories Worm Geared Motors HMD/II

Output-side Flanges HMD/II, square

Material: Aluminium.

Square flange with fixing screws for retrofitting.



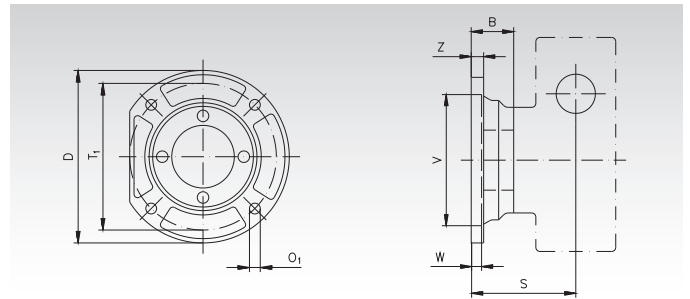
Ordering Details: e.g.: Product No. 439 033 00, Output-Side Flange, 70 x 70 mm

| Product No. | Gearbox Size | D mm | B mm | O ₁ mm | S mm | T ₁ mm | V mm | W mm | Z mm | Screws Amount x size | Weight kg |
|-------------|--------------|------|------|-------------------|------|-------------------|------|------|------|----------------------|-----------|
| 439 033 00 | 030 | 70 | 25,5 | 6,5 | 54,5 | 68 | 50 | 4 | 6 | 4 x M6 | 0,11 |
| 439 043 00 | 045 | 95 | 30,5 | 9 | 67 | 75 | 60 | 4 | 7 | 4 x M6 | 0,20 |
| 439 053 00 | 050 | 110 | 46,5 | 11 | 90 | 85 | 70 | 5 | 9 | 4 x M8 | 0,40 |
| 439 063 00 | 063 | 142 | 33,0 | 11 | 86 | 150 | 115 | 6 | 12 | 4 x M8 | 0,60 |

Output-side Flanges HMD/II, round

Material: Aluminium.

Round flange with fixing screws for retrofitting.



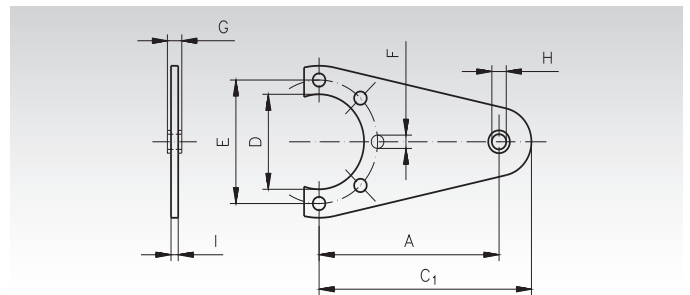
Ordering Details: e.g.: Product No. 439 044 00, Output-Side Flange, Ø 140 mm.

| Product No. | Gearbox Size | D mm | B mm | O ₁ mm | S mm | T ₁ mm | V mm | W mm | Z mm | Screws Amount x Size | Weight kg |
|-------------|--------------|------|------|-------------------|-------|-------------------|------|------|------|----------------------|-----------|
| 439 044 00 | 045 | 140 | 43,5 | 9,5 | 80 | 115 | 95 | 5 | 9 | 4 x M6 | 0,20 |
| 439 054 00 | 050 | 160 | 45,5 | 9,5 | 89 | 130 | 110 | 5 | 10 | 4 x M8 | 0,40 |
| 439 064 00 | 063 | 200 | 57,0 | 13,0 | 110 | 165 | 130 | 7 | 13 | 4 x M8 | 0,60 |
| 439 084 00 | 085 | 200 | 53,5 | 11,5 | 117,5 | 165 | 130 | 5 | 13 | 4 x M10 | 0,88 |

Torque Arms HMD/II

Material: Steel sheet, zinc-plated.

Torque arm with mounting screws for retrofitting.
The position can be changed in steps of 90°.



Ordering Details: e.g.: Product No. 439 035 00, Torque Arm, Gearbox Size 030

| Product No. | Gearbox Size | A mm | C ₁ mm | D mm | E mm | F mm | G mm | H mm | I mm | Screws Amount x Size | Weight kg |
|-------------|--------------|------|-------------------|------|------|------|------|------|------|----------------------|-----------|
| 439 035 00 | 030 | 85 | 100 | 55 | 65 | 7 | 14 | 8 | 4 | 3 x M6 | 0,21 |
| 439 045 00 | 045 | 100 | 118 | 60 | 75 | 7 | 14 | 10 | 4 | 3 x M6 | 0,21 |
| 439 055 00 | 050 | 100 | 118 | 70 | 85 | 9 | 14 | 10 | 4 | 3 x M8 | 0,26 |
| 439 065 00 | 063 | 150 | 180 | 75 | 90 | 9 | 20 | 11 | 6 | 3 x M8 | 0,70 |
| 439 085 00 | 085 | 200 | 240 | 110 | 130 | 11 | 25 | 21 | 6 | 3 x M10 | 1,44 |