

Linear Actuator Systems GR/I

General description:

Linear actuator, control box and hand operator make a ready-to-operate linear drive.

Voltage supply 230V or 24V on choice.

Up to 4 linear actuators can be operated with only one hand operator.

Usage: Universal use, for operating windows, gates, and for many other processes with swivel motion or linear motion.

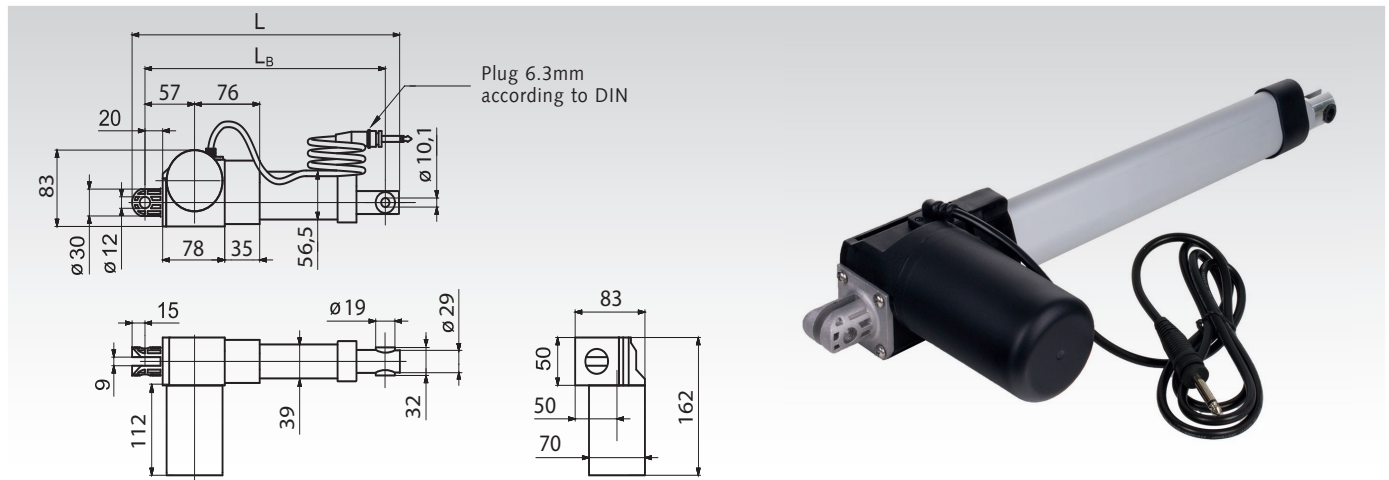
Standard: CE / UL 60601-1 / EN60601-1.

Temperature range -5°C up to +40°C.

Linear actuators, control box and hand operator have to be ordered separately.



Linear Actuators GR/I



2 speeds.

8 stroke lengths. Other lengths in 50mm steps on request.

To be used with 230V AC or 24V DC-control box.

Motor voltage 24V DC. Absorbed power approx. 4,5A.

Protection class IP66. Cabel length approx. 1,2m.

Up to 4 actuators can be operated individually with only one hand operator.

Linear actuators, control box and hand operator have to be ordered separately.

Motor end stop switch integrated. Standard: CE / UL 60601-1 / EN60601-1.

Temperature range -5°C up to +40°C.

Ordering details: e.g.: Prod.-No. 475 130 10, Linear actuator 3 mm/sec, stroke 100 mm

Product No.	Speed mm/sec	Stroke length mm	max. Load tensil * N	max. Load compressing * N	Length mm	Hole distance L _B mm	Weigth kg
475 130 10	3	100	4000	6000	301	275	1,98
475 130 20	3	200	4000	6000	401	375	2,12
475 130 30	3	300	4000	3900	501	475	2,40
475 130 40	3	400	4000	2300	601	575	2,62
475 130 50	3	500	4000	1500	701	675	2,78
475 130 60	3	600	4000	1100	801	775	2,98
475 130 80	3	800	4000	610	1001	975	3,40
475 131 00	3	1000	4000	400	1201	1175	3,80
475 140 10	12	100	2000	2000	301	275	1,98
475 140 20	12	200	2000	2000	401	375	2,12
475 140 30	12	300	2000	1300	501	475	2,40
475 140 40	12	400	2000	766	601	575	2,62
475 140 50	12	500	2000	509	701	675	2,78
475 140 60	12	600	2000	366	801	775	2,98
475 140 80	12	800	2000	202	1001	975	3,40
475 141 00	12	1000	2000	133	1201	1175	3,80

* Static and dynamic.

Linear Actuator Systems GR/I

Control Boxes for Linear Actuators GR/I

Material: Housing in shock resistant, black plastic.

For voltage supply and processing the actuators.

On choice for 230V AC or 24V DC.

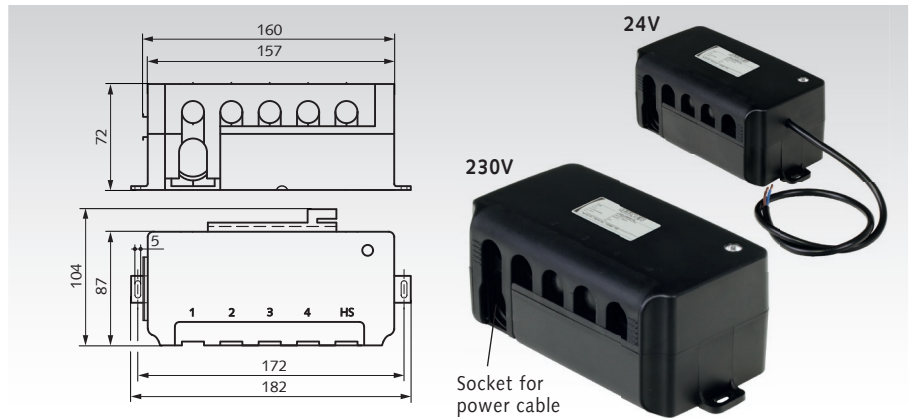
On choice for 1 actuator, 2 actuators or up to 4 actuators.

Limit switch and overload protection are integrated.

230V-version with IEC power cord with plug, cable length approx. 3m.

24V-version with 0.5m-connecting cable.

Protection class IP54.



Ordering details: e.g.: Prod.-No. 475 190 11, control box 230V for 1 actuator

Product No.	Voltage supply	Suitable for	Weight Control Box kg	Weight 230V-Cord kg
475 190 11	230V AC	1 actuator	0,52	0,29
475 190 12	230V AC	1-2 actuators	0,52	0,29
475 190 14	230V AC	1-4 actuators	0,52	0,29
475 191 11	24V DC	1 actuator	0,37	-
475 191 12	24V DC	1-2 actuators	0,37	-
475 191 14	24V DC	1-4 actuators	0,37	-

Hand Operators for Linear Actuators GR/I

Material: Housing in shock resistant, black plastic.

For operating the linear actuators.

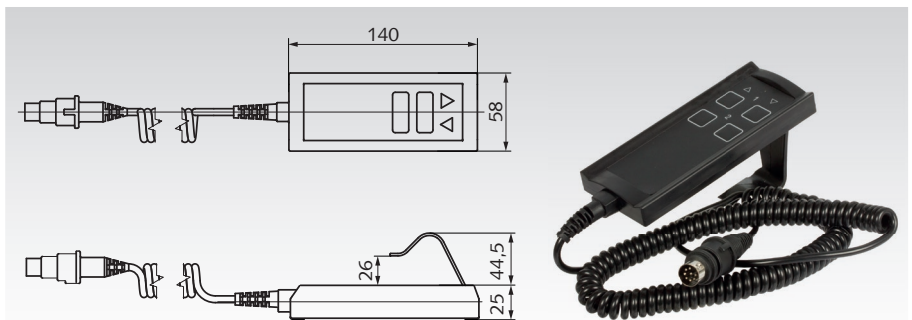
To be used with 230V AC or 24V DC control box.

On choice for 1 actuator, 2 actuators or up to 4 actuators.

The actuators can be operated separately by holding down the key.

With spiral cable, length 1m, tinsiled approx. 2m.

Protection class IP54.



Ordering details: e.g.: Prod. No. 475 192 01, Hand operator for 1 actuator

Product No.	Suitable for	Number of Keys	Weight kg
475 192 01	1 actuator	1 pair of keys	0,20
475 192 02	1-2 actuators	2 pair of keys	0,22
475 192 04	1-4 actuators	4 pair of keys	0,24

Cable with plug for Linear Actuators GR/I, to connect with a Customer's Controller

Product No. 475 192 05

Cable with plug with 8 pins and screen for to connect the GR/I control box with a customer's controller (alternatively to the hand operator). Cable length approx. 1.8m - extended approx. 4m. Note: only for potentialfree contacts.

PIN 1: white, actuator #2 up.
PIN 2: green, actuator #3 up.
PIN 3: brown, actuator #1 up.
PIN 4: red, actuator #1 down.
PIN 5: yellow, actuator #3 down.

PIN 6: blue, actuator #4 down.
PIN 7: black, actuator #4 up.
PIN 8: violet, actuator #2 down.
Screen: transparent.
Ground: common.

