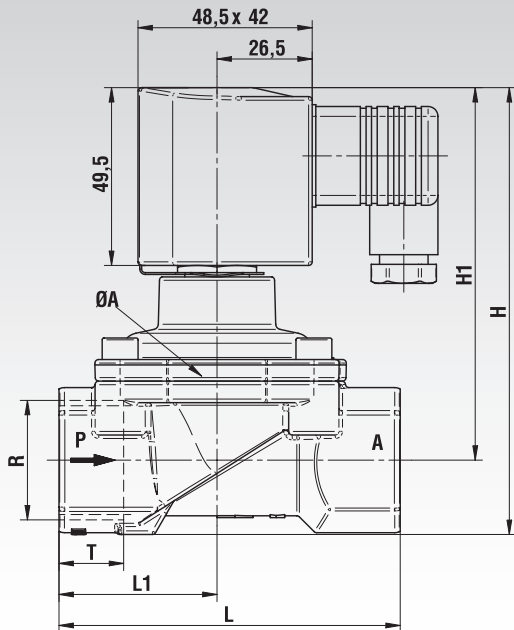


2/2 Solenoid Valves, DN 20 and DN 25, Standard Version



Material:

Housing: Brass.

Seat seal: NBR (Perbunan).

Internal parts: Stainless steel, PVDF, Brass.

- For neutral gaseous and liquid fluids.
- Electromagnetically actuated valve, with forced valve lifting.
- Diaphragm valves.
- Connection internal thread G3/4 and G1.
- Operating pressure 0 to 10 bar (up to 25 mm²/s cSt).

For contaminated fluids insertion of a strainer is recommended.

Description (standard unit)

Solenoid valve for, e.g., air, water, oil.

Switching function: Normally closed.

Flow direction: determined.

Fluid temperature: -10°C to max. +90°C.

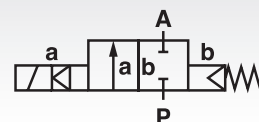
Ambient temperature: -10°C to max. +50°C.

Mounting position: optional, preferably solenoid vertical on top.

Features

- High flow rate.
- For rugged applications.
- Damped operation.
- Suitable for vacuum.
- For systems with low or changing pressure difference.
- Valve works without minimum pressure difference (Zero ΔP).
- Solenoid can be replaced without tools.

Symbol



Ordering details: e.g.: Product No., Voltage, Connection

Product No.	Voltage	Connection (Thread)	Nominal Ø mm	ØA mm	H mm	H ₁ mm	L mm	L ₁ mm	T mm	kv-Value* Base m ³ /h	Weight kg
851 234 11	24V DC	G3/4	20	50	115	99	80	36,5	16	5,8	1,00
851 234 12	230V 50/60Hz	G3/4	20	50	115	99	80	36,5	16	5,8	1,00
851 210 11	24V DC	G1	25	62	124	103,5	95	44	18	8,0	1,30
851 210 12	230V 50/60Hz	G1	25	62	124	103,5	95	44	18	8,0	1,30

* Cv-Value (US) = kv-Value x 1.2.

Power consumption

According to DIN VDE 0580 at a coil temperature of +20°C. At operating state temperature of the solenoid (DC) the power consumption decreases, for physical reasons by up to approx. 30%.

DC	AC	
	Inrush	Holding
18 W	20 VA	18 VA

Note: For explosion-proof solenoids (on request) the permissible temperature range decreases.

Magnet

Design according to VDE 0580.

Voltage range ±10%.

100% duty cycle.

Protection class acc. to EN 60529 IP65.

Socket acc. to DIN EN 175301-803 A (in accessory box).