

## Automatic Lubricators perma® (Housing Made from Steel Sheet)

### Function

Tightening the activating screw makes the gas generator drop into the electrolyte fluid, where it starts a chemical reaction that builds up pressure and causes the piston to move forward. The lubricant is continuously injected into the lubrication point. When the lubrication cartridge is empty, the coloured piston becomes clearly visible. The initial delay between activation and the first discharge of lubricant depends on the perma® type. Lubricant volume 120 cm<sup>3</sup>. The activator screw and the lubricator have to be ordered separately.

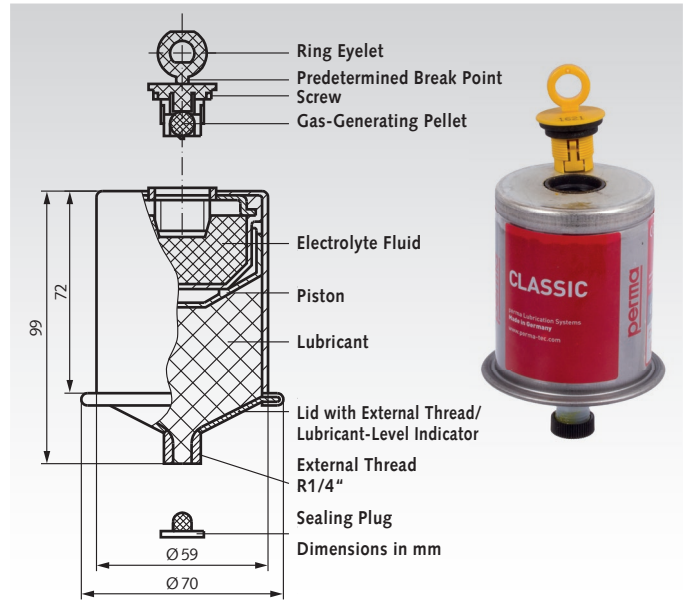
### perma® Activator Screws

**Material:** Body of screw from plastic.

The lubrication period is determined by the different coloured activator screws. The lubricator has to be ordered separately.

Ordering Details: e.g.: Product No. 680 510 01, Perma Activator Screw Type 1

Product No.	Type	Period of Lubrication	Colour
680 510 01	1	1 Month	yellow
680 510 03	3	3 Months	green
680 510 06	6	6 Months	red
680 510 12	12	12 Months	grey



### perma® Lubricators

**Material:** Housing made from steel sheet.

The code for the lubricant contained is stamped into the bottom of the housing (e.g. SF 01 = all-purpose grease). The activator screw has to be ordered separately. Weight 265 g.

Ordering Details: e.g.: Product No. 680 500 01, Perma Lubricator Type SF01

Product No.	Type	Lubricant	DIN 51 502	NLGI-Grade	Thickener	Basis Oil	Temperature Range	Viscosity at +40°C	Recommendation of Application					
									Roller Bearings	Plain Bearings	Linear Motion	Gears and Racks	Spindle Drives	Sealings
680 500 01	SF01	Multipurpose Grease	KP2K-30	2	Li / Ca	Mineral	-30° / +130°C	220	X	X	X	X	X	X
680 500 02	SF02	Extreme Pressure Grease	KPF2K-30	2	Li + MoS <sub>2</sub>	Mineral	-30° / +120°C	105		X		X		
680 500 04	SF04	High Performance Grease	K1S-20	0/1	PHS	Mineral + PAO	-20° / +160°C	500	X	X	X		X	
680 500 05	SF05	High Temp./High Pressure	KPF1S-20	0/1	PHS + MoS <sub>2</sub>	Mineral + PAO	-20° / +160°C	500	X	X		X		
680 500 06	SF06	Liquid Grease	K0G-20	0	Al.-Kom.	Mineral	-20° / +130°C	220	X	X	X			X
680 500 10	SF10	Food Grade Grease	K1K-40	1	Al.-Kom.	PAO	-20° / +220°C	150	X	X	X	X		
680 500 14	SO14	High Performance Oil	CLPE320	Oil	-	PAO + Ester	-20° / +250°C	320						X

### Accessories

Product No.	Fig.	Description	Accessory	Weight g
680 540 00	1	Bracket		66
680 547 00	2	Oil throttle G 1/4		26
680 543 00	3	Extension G 1/4, 30 mm long		25
680 545 00	4	Oil brush Ø 20 mm, R 1/4 internal thread		36
680 546 00	5	Oil brush of horsehair, Width 30 x 40 mm long, R 1/4 internal thread		38



Extensions page 857.



On request, the lubricator can also be supplied with transparent plastic housing.