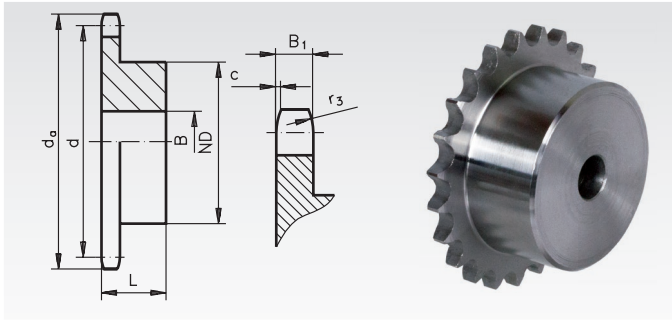


Sprockets KRS with One-Sided Hub, Pitch 4mm and ISO 03

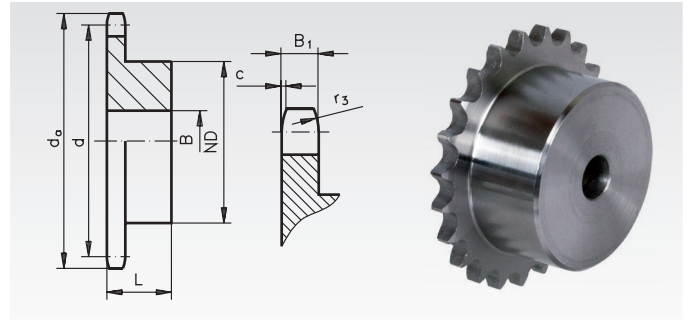


Material: Low-carbon steel, not hardable.
Pre-bored.

Ordering Details: e.g.: Product No. 100 012 00, KRS, Pitch 4 mm, 12 Teeth

Pitch 4 mm,
B₁ = 2.45 mm, c = 0.33 mm, r₃ = 3.75 mm

Product No.	Number of teeth	d _a mm	d mm	ND mm	B mm	L mm	Weight g
100 012 00	12	16,9	15,45	10	5	11	8
100 013 00	13	18,2	16,71	11	5	12	8
100 014 00	14	19,5	17,98	12,5	5	12	11
100 015 00	15	20,8	19,24	13,5	5	12	14
100 017 00	17	23,4	21,77	16	5	12	19
100 019 00	19	26,0	24,30	18	8	12	22
100 021 00	21	28,5	26,84	20	8	12	28
100 023 00	23	31,1	29,38	22	8	14	41
100 024 00	24	32,4	30,65	25	8	14	51
100 025 00	25	33,7	31,94	25	8	14	52
100 030 00	30	40,1	38,27	28	8	14	71
100 038 00	38	50,3	48,44	32	8	16	112
100 045 00	45	59,2	57,34	38	8	16	161
100 057 00	57	74,5	72,61	50	8	16	276
100 076 00	76	98,7	96,79	63	8	18	508
100 083 00	95	122,9	121,00	63	10	18	582
100 088 00	114	147,1	145,17	63	10	20	708

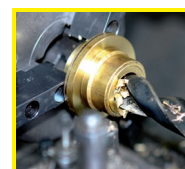


Material: Low-carbon steel, not hardable.
Pre-bored.

Ordering Details: e.g.: Product No. 100 311 00, KRS, ISO 03, 11 Teeth

ISO 03, Pitch 5 mm,
B₁ = 2.3 mm, c = 0.5 mm, r₃ = 5 mm

Product No.	Number of teeth	d _a mm	d mm	ND mm	B mm	L mm	Weight g
100 311 00	11	19,8	17,75	11	6	10	9
100 312 00	12	21,4	19,32	12	6	10	13
100 313 00	13	22,9	20,89	14	6	10	17
100 314 00	14	24,5	22,47	15	6	10	19
100 315 00	15	26,1	24,04	16	6	10	21
100 317 00	17	29,3	27,20	18	8	13	28
100 319 00	19	32,5	30,38	18	8	13	47
100 321 00	21	35,7	33,54	20	8	13	57
100 323 00	23	38,9	36,72	20	8	13	76
100 325 00	25	42,1	39,89	20	8	13	90
100 330 00	30	50,1	47,83	25	8	15	158
100 338 00	38	62,8	60,54	30	8	15	207
100 345 00	45	74,0	71,68	55	10	16	314
100 357 00	57	93,1	90,76	63	12	16	431



**Reworking within
24h-service possible.
Custom made parts
on request.**