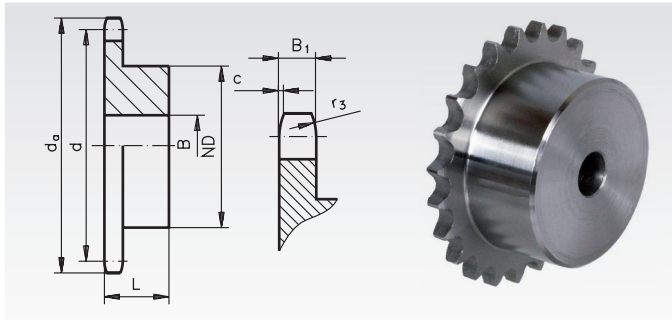


## Sprockets KRS with One-Sided Hub, ISO 083



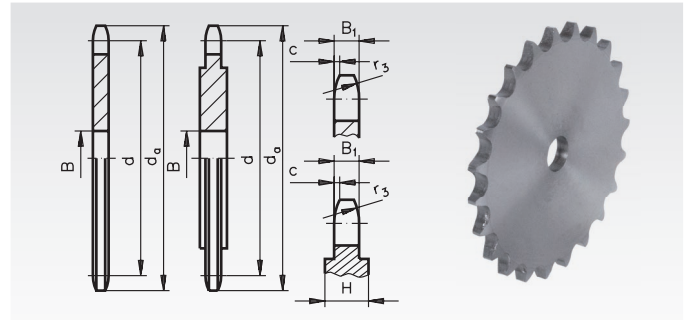
**Material:** Steel C45, not hardened.  
Pre-bored.

Ordering Details: e.g.: Product No. 103 108 00, KRS, ISO 083, 8 Teeth

**ISO 083, Pitch 1/2 x 3/16",**  
**B<sub>1</sub> = 4.5 mm, c = 1.3 mm, r<sub>3</sub> = 13 mm**

Product No.	Number of teeth	d <sub>a</sub> mm	d mm	ND mm	B mm	L mm	Weight g
103 108 00	8	38,5	33,18	21	8	14	46
103 109 00	9	41,5	37,13	25	8	14	64
103 110 00	10	46,2	41,10	28	8	14	79
103 111 00	11	49,6	45,07	31	8	16	110
103 112 00	12	53,9	49,07	35	8	16	138
103 113 00	13	58,4	53,07	39	8	16	170
103 114 00	14	62,8	57,07	43	8	16	203
103 115 00	15	66,8	61,09	47	8	16	243
103 116 00	16	70,9	65,10	50	10	18	299
103 117 00	17	74,9	69,11	50	10	18	318
103 118 00	18	78,9	73,14	50	10	18	330
103 119 00	19	82,9	77,16	50	10	18	344
103 120 00	20	86,9	81,19	50	10	18	364
103 121 00	21	91,0	85,22	60	12	20	511
103 122 00	22	95,0	89,24	60	12	20	527
103 123 00	23	99,0	93,27	60	12	20	544
103 124 00	24	103,0	97,29	60	12	20	569
103 125 00	25	107,1	101,33	60	12	20	586
103 126 00	26	111,2	105,36	70	16	20	725
103 127 00	27	115,4	109,40	70	16	20	750
103 128 00	28	119,4	113,42	70	16	20	765
103 130 00	30	127,5	121,50	70	16	20	833
103 132 00	32	135,5	129,56	70	16	20	882
103 134 00	34	143,6	137,64	70	16	20	933
103 135 00	35	147,6	141,68	70	16	20	947
103 136 00	36	151,7	145,72	70	16	25	1103
103 138 00	38	159,8	153,80	70	16	25	1176
103 140 00	40	167,8	161,87	70	16	25	1248

## Plate wheels KRL, ISO 083

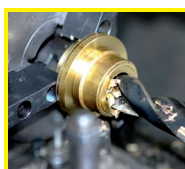


**Material:** Low-carbon steel, not hardable.  
Pre-bored.  
Pitch 1/2 x 3/16" KRL from a Teeth Number of 90 reinforced (H = 6 mm, see drawing).

Ordering Details: e.g.: Product No. 103 208 00, KRL, ISO 083, 8 Teeth

**ISO 083, Pitch 1/2 x 3/16",**  
**B<sub>1</sub> = 4.5 mm, c = 1.3 mm, r<sub>3</sub> = 13 mm**

Product No.	Number of teeth	d <sub>a</sub> mm	d mm	B mm	Weight g
103 208 00	8	38,5	33,18	8	21
103 209 00	9	41,5	37,13	8	29
103 210 00	10	46,2	41,10	8	36
103 211 00	11	49,6	45,07	8	42
103 212 00	12	53,9	49,07	8	50
103 213 00	13	58,4	53,07	8	61
103 214 00	14	62,8	57,07	8	74
103 215 00	15	66,8	61,09	8	86
103 216 00	16	70,9	65,10	10	99
103 217 00	17	74,9	69,11	10	112
103 218 00	18	78,9	73,14	10	125
103 219 00	19	82,9	77,16	10	140
103 220 00	20	86,9	81,19	10	154
103 221 00	21	91,0	85,22	10	170
103 222 00	22	95,0	89,24	10	180
103 223 00	23	99,0	93,27	10	210
103 224 00	24	103,0	97,29	12	223
103 225 00	25	107,1	101,33	12	251
103 226 00	26	111,2	105,36	12	264
103 227 00	27	115,4	109,40	12	297
103 228 00	28	119,4	113,42	12	306
103 230 00	30	127,5	121,50	12	324
103 232 00	32	135,5	129,56	12	405
103 234 00	34	143,6	137,64	12	454
103 235 00	35	147,6	141,68	12	495
103 236 00	36	151,7	145,72	16	531
103 238 00	38	159,8	153,80	16	566
103 240 00	40	167,8	161,87	16	632
103 242 00	42	175,4	169,95	16	714
103 245 00	45	187,5	182,07	16	773
103 247 00	47	195,6	190,14	20	886
103 248 00	48	199,7	194,18	20	934
103 250 00	50	207,8	202,26	20	975
103 254 00	54	224,0	218,43	20	1170
103 257 00	57	236,1	230,54	20	1348
103 260 00	60	248,2	242,66	20	1490
103 265 00	65	268,8	262,86	20	1657
103 270 00	70	289,0	283,07	25	1898
103 272 00	72	297,1	291,16	25	2119
103 276 00	76	313,3	307,33	25	2339
103 280 00	80	329,4	323,48	25	2364
103 282 00	90	369,9	363,90	25	4672
103 288 00	114	466,9	460,90	25	7284



**Reworking within  
24h-service possible.  
Custom made parts  
on request.**

**Bolt-on hubs for  
plate wheels page 96**

