

## Universal Handles GT from Silicone or Rubber NBR

**Material Type S:** Elastomer silicone, black, hardness 70° +/-5° Shore A. Metall part stainless steel 1.4301.

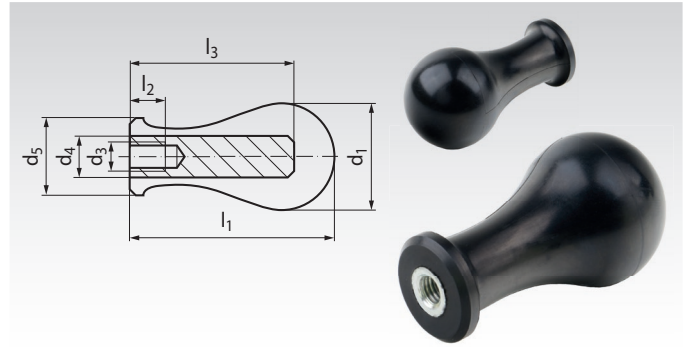


**Material Type N:** Elastomer NBR, black, hardness 75° +/-5° Shore A. Metall part steel zinc-plated.

Versatile handle. Long shape with big ball-end, easy and safe to grip, also with thick gloves. On choice from silicone for food machines / household sector or from oil-resistant NBR for general use in mechanical engineering.

Temperature range type S: -55°C to +225°C.

Temperature range type N: -10°C to +100°C.



Ordering Details: e.g.: Product No. 662 400 04, Universal Handle GT Type S, 25mm

Product No. Type S	Product No. Type N	d <sub>1</sub> mm	d <sub>3</sub> mm	d <sub>4</sub> mm	d <sub>5</sub> mm	l <sub>1</sub> mm	l <sub>2</sub> mm	l <sub>3</sub> mm	Weight g
662 400 04	662 401 04	25	M4	10	18	49	6	40	38
662 400 05	662 401 05	29	M5	10	21	57	8	45	44
662 400 06	662 401 06	33	M6	10	24	65	9	50	56
662 400 08	662 401 08	38	M8	13	27	73,5	12	58,5	98
662 400 10	662 401 10	42	M10	16	30	82	14	65	160