

## Single row deep groove ball bearings SKF, inner diameter 3 - 17 mm

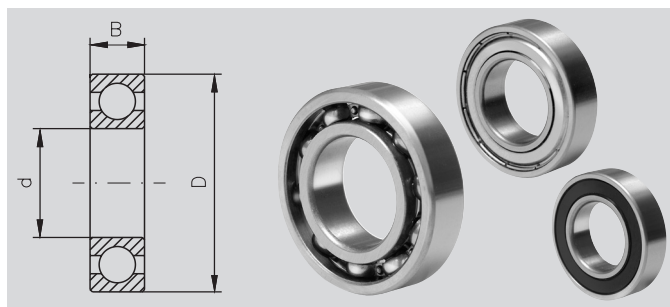
Material: Bearing steel.

- Standard ball bearings in premium-quality.
- Most common bearing type.
- Usable for high speed.
- Insensitive in use and maintenance.
- On choice: Open, with friction-free metal shields 2Z (= ZZ) or with contacting rubber NBR seals 2RS1 / 2RSH.

Temperature range: -30°C to +90°C (for short time up to +110°C).

Other versions or other bearing types on request.

Ordering Details: e.g.: product No., quantity



Product No.	Main dimensions			Version	Load rating radial			Speed base min <sup>-1</sup>	Speed limit min <sup>-1</sup>	Weight g
	d mm	D mm	B mm		dyn.C kN	stat.C <sub>0</sub> kN	P <sub>U</sub> * kN			
623-2Z-SKF	3	10	4	shielded on both sides	0,54	0,18	0,007	130.000	60.000	1,5
624-2Z-SKF	4	13	5	shielded on both sides	0,94	0,29	0,012	110.000	53.000	3,1
625-SKF	5	16	5	open	1,14	0,38	0,016	95.000	60.000	5
625-2Z-SKF	5	16	5	shielded on both sides	1,14	0,38	0,016	95.000	48.000	5
625-2RS1-SKF	5	16	5	sealed on both sides	1,14	0,38	0,016	95.000	48.000	5
626-SKF	6	19	6	open	2,34	0,95	0,04	80.000	50.000	8,4
626-2Z-SKF	6	19	6	shielded on both sides	2,34	0,95	0,04	80.000	40.000	8,4
626-2RSH-SKF	6	19	6	sealed on both sides	2,34	0,95	0,04	-	24.000	8,4
607-2Z-SKF	7	19	6	shielded on both sides	2,34	0,95	0,04	85.000	43.000	7,5
607-2RSH-SKF	7	19	6	sealed on both sides	2,34	0,95	0,04	-	24.000	7,5
627-2Z-SKF	7	22	7	shielded on both sides	3,45	1,37	0,057	70.000	36.000	13
627-2RSH-SKF	7	22	7	sealed on both sides	3,45	1,37	0,057	-	22.000	12
608-SKF	8	22	7	open	3,45	1,37	0,057	75.000	48.000	12
608-2Z-SKF	8	22	7	shielded on both sides	3,45	1,37	0,057	75.000	38.000	12
608-2RSH-SKF	8	22	7	sealed on both sides	3,45	1,37	0,057	-	22.000	12
609-2Z-SKF	9	24	7	shielded on both sides	3,9	1,66	0,071	70.000	34.000	14
609-2RSH-SKF	9	24	7	sealed on both sides	3,9	1,66	0,071	-	19.000	14
629-2Z-SKF	9	26	8	shielded on both sides	4,75	1,96	0,083	60.000	30.000	20
629-2RSH-SKF	9	26	8	sealed on both sides	4,75	1,96	0,083	-	19.000	20
61800-SKF	10	19	5	open	1,38	0,59	0,025	80.000	48.000	5,5
61800-2Z-SKF	10	19	5	shielded on both sides	1,38	0,59	0,025	80.000	38.000	5,5
61800-2RS1-SKF	10	19	5	sealed on both sides	1,38	0,59	0,025	-	22.000	5,5
6000-SKF	10	26	8	open	4,75	1,96	0,083	67.000	40.000	19
6000-2Z-SKF	10	26	8	shielded on both sides	4,75	1,96	0,083	67.000	34.000	19
6000-2RSH-SKF	10	26	8	sealed on both sides	4,75	1,96	0,083	-	19.000	19
6200-SKF	10	30	9	open	5,4	2,36	0,1	56.000	34.000	32
6200-2Z-SKF	10	30	9	shielded on both sides	5,4	2,36	0,1	56.000	28.000	32
6200-2RSH-SKF	10	30	9	sealed on both sides	5,4	2,36	0,1	-	17.000	32
6300-2Z-SKF	10	35	11	shielded on both sides	8,52	3,4	0,143	50.000	26.000	53
6300-2RSH-SKF	10	35	11	sealed on both sides	8,52	3,4	0,143	-	15.000	53
61801-SKF	12	21	5	open	1,43	0,67	0,028	70.000	43.000	6,3
61801-2Z-SKF	12	21	5	shielded on both sides	1,43	0,67	0,028	70.000	36.000	6,3
61801-2RS1-SKF	12	21	5	sealed on both sides	1,43	0,67	0,028	-	20.000	6,3
6001-SKF	12	28	8	open	5,4	2,36	0,1	60.000	38.000	22
6001-2Z-SKF	12	28	8	shielded on both sides	5,4	2,36	0,1	60.000	30.000	22
6001-2RSH-SKF	12	28	8	sealed on both sides	5,4	2,36	0,1	-	17.000	22
6201-SKF	12	32	10	open	7,28	3,1	0,132	50.000	32.000	37
6201-2Z-SKF	12	32	10	shielded on both sides	7,28	3,1	0,132	50.000	26.000	37
6201-2RSH-SKF	12	32	10	sealed on both sides	7,28	3,1	0,132	-	15.000	37
6301-2Z-SKF	12	37	12	shielded on both sides	10,1	4,15	0,176	45.000	22.000	60
6301-2RSH-SKF	12	37	12	sealed on both sides	10,1	4,15	0,176	-	14.000	60
61802-2Z-SKF	15	24	5	shielded on both sides	1,56	0,8	0,034	60.000	30.000	7,4
61802-2RS1-SKF	15	24	5	sealed on both sides	1,56	0,8	0,034	-	17.000	7,4
6002-SKF	15	32	9	open	5,85	2,85	0,12	50.000	32.000	30
6002-2Z-SKF	15	32	9	shielded on both sides	5,85	2,85	0,12	50.000	26.000	30
6002-2RSH-SKF	15	32	9	sealed on both sides	5,85	2,85	0,12	-	14.000	30
6202-SKF	15	35	11	open	8,06	3,75	0,16	43.000	28.000	45
6202-2Z-SKF	15	35	11	shielded on both sides	8,06	3,75	0,16	43.000	22.000	45
6202-2RSH-SKF	15	35	11	sealed on both sides	8,06	3,75	0,16	-	13.000	45
6302-SKF	15	42	13	open	11,9	5,4	0,228	38.000	24.000	82
6302-2Z-SKF	15	42	13	shielded on both sides	11,9	5,4	0,228	38.000	19.000	82
6302-2RSH-SKF	15	42	13	sealed on both sides	11,9	5,4	0,228	-	12.000	82
61803-2Z-SKF	17	26	5	shielded on both sides	1,68	0,93	0,039	56.000	28.000	8,2
61803-2RS1-SKF	17	26	5	sealed on both sides	1,68	0,93	0,039	-	16.000	8,2
6003-SKF	17	35	10	open	6,37	3,25	0,137	45.000	28.000	39
6003-2Z-SKF	17	35	10	shielded on both sides	6,37	3,25	0,137	45.000	22.000	39
6003-2RSH-SKF	17	35	10	sealed on both sides	6,37	3,25	0,137	-	13.000	39
6203-SKF	17	40	12	open	9,95	4,75	0,2	38.000	24.000	65
6203-2Z-SKF	17	40	12	shielded on both sides	9,95	4,75	0,2	38.000	19.000	65
6203-2RSH-SKF	17	40	12	sealed on both sides	9,95	4,75	0,2	-	12.000	65
6303-SKF	17	47	14	open	14,3	6,55	0,275	34.000	22.000	120
6303-2Z-SKF	17	47	14	shielded on both sides	14,3	6,55	0,275	34.000	17.000	120
6303-2RSH-SKF	17	47	14	sealed on both sides	14,3	6,55	0,275	-	11.000	120

\* Fatigue load limit.

## Single row deep groove ball bearings SKF, inner diameter 20 - 50 mm

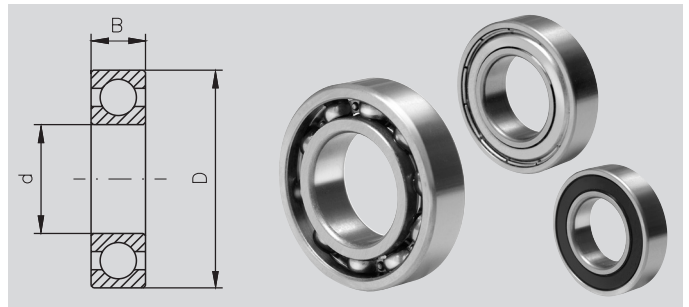
Material: Bearing steel.

- Standard ball bearings in premium-quality.
- Most common bearing type.
- Usable for high speed.
- Insensitive in use and maintenance.
- On choice: Open, with friction-free metal shields 2Z (= ZZ) or with contacting rubber NBR seals 2RS1 / 2RSH.

Temperature range: -30°C to +90°C (for short time up to +110°C).

Other versions or other bearing types on request.

Ordering Details: e.g.: product No., quantity



Product No.	Main dimensions			Version	Load rating radial			Speed base min <sup>-1</sup>	Speed limit min <sup>-1</sup>	Weight g
	d mm	D mm	B mm		dyn.C kN	stat.C <sub>0</sub> kN	P <sub>U</sub> * kN			
6004-SKF	20	42	12	open	9,95	5	0,212	38.000	24.000	69
6004-2Z-SKF	20	42	12	shielded on both sides	9,95	5	0,212	38.000	19.000	69
6004-2RSH-SKF	20	42	12	sealed on both sides	9,95	5	0,212	-	11.000	69
6204-SKF	20	47	14	open	13,5	6,55	0,28	32.000	20.000	110
6204-2Z-SKF	20	47	14	shielded on both sides	13,5	6,55	0,28	32.000	17.000	110
6204-2RSH-SKF	20	47	14	sealed on both sides	13,5	6,55	0,28	-	10.000	110
6304-SKF	20	52	15	open	16,8	7,8	0,335	30.000	19.000	140
6304-2Z-SKF	20	52	15	shielded on both sides	16,8	7,8	0,335	30.000	15.000	140
6304-2RSH-SKF	20	52	15	sealed on both sides	16,8	7,8	0,335	-	9.500	140
6005-SKF	25	47	12	open	11,9	6,55	0,275	32.000	20.000	80
6005-2Z-SKF	25	47	12	shielded on both sides	11,9	6,55	0,275	32.000	16.000	80
6005-2RSH-SKF	25	47	12	sealed on both sides	11,9	6,55	0,275	-	9.500	80
6205-SKF	25	52	15	open	14,8	7,8	0,335	28.000	18.000	130
6205-2Z-SKF	25	52	15	shielded on both sides	14,8	7,8	0,335	28.000	14.000	130
6205-2RSH-SKF	25	52	15	sealed on both sides	14,8	7,8	0,335	-	8.500	130
6305-SKF	25	62	17	open	23,4	11,6	0,49	24.000	16.000	230
6305-2Z-SKF	25	62	17	shielded on both sides	23,4	11,6	0,49	24.000	13.000	230
6305-2RS1-SKF	25	62	17	sealed on both sides	23,4	11,6	0,49	-	7.500	230
6006-SKF	30	55	13	open	13,8	8,3	0,355	28.000	17.000	120
6006-2Z-SKF	30	55	13	shielded on both sides	13,8	8,3	0,355	28.000	14.000	120
6006-2RS1-SKF	30	55	13	sealed on both sides	13,8	8,3	0,355	-	8.000	120
6206-SKF	30	62	16	open	20,3	11,2	0,475	24.000	15.000	200
6206-2Z-SKF	30	62	16	shielded on both sides	20,3	11,2	0,475	24.000	12.000	200
6206-2RS1-SKF	30	62	16	sealed on both sides	20,3	11,2	0,475	-	7.500	200
6306-SKF	30	72	19	open	29,6	16	0,67	20.000	13.000	350
6306-2Z-SKF	30	72	19	shielded on both sides	29,6	16	0,67	20.000	11.000	350
6306-2RS1-SKF	30	72	19	sealed on both sides	29,6	16	0,67	-	6.300	350
6007-SKF	35	62	14	open	16,8	10,2	0,44	24.000	15.000	160
6007-2Z-SKF	35	62	14	shielded on both sides	16,8	10,2	0,44	24.000	12.000	160
6007-2RS1-SKF	35	62	14	sealed on both sides	16,8	10,2	0,44	-	7.000	160
6207-SKF	35	72	17	open	27	15,3	0,66	20.000	13.000	290
6207-2Z-SKF	35	72	17	shielded on both sides	27	15,3	0,66	20.000	10.000	290
6207-2RS1-SKF	35	72	17	sealed on both sides	27	15,3	0,66	-	6.300	290
6307-SKF	35	80	21	open	35,1	19	0,82	19.000	12.000	460
6307-2Z-SKF	35	80	21	shielded on both sides	35,1	19	0,82	19.000	9.500	460
6307-2RS1-SKF	35	80	21	sealed on both sides	35,1	19	0,82	-	6.000	460
6008-SKF	40	68	15	open	17,8	11,6	0,49	22.000	14.000	190
6008-2Z-SKF	40	68	15	shielded on both sides	17,8	11,6	0,49	22.000	11.000	190
6008-2RS1-SKF	40	68	15	sealed on both sides	17,8	11,6	0,49	-	6.300	190
6208-SKF	40	80	18	open	32,5	19	0,8	18.000	11.000	370
6208-2Z-SKF	40	80	18	shielded on both sides	32,5	19	0,8	18.000	9.000	370
6208-2RS1-SKF	40	80	18	sealed on both sides	32,5	19	0,8	-	5.600	370
6308-SKF	40	90	23	open	42,3	24	1,02	17.000	11.000	630
6308-2Z-SKF	40	90	23	shielded on both sides	42,3	24	1,02	17.000	8.500	630
6308-2RS1-SKF	40	90	23	sealed on both sides	42,3	24	1,02	-	5.000	630
6009-SKF	45	75	16	open	22,1	14,6	0,64	20.000	12.000	250
6009-2Z-SKF	45	75	16	shielded on both sides	22,1	14,6	0,64	20.000	10.000	250
6009-2RS1-SKF	45	75	16	sealed on both sides	22,1	14,6	0,64	-	5.600	250
6209-SKF	45	85	19	open	35,1	21,6	0,92	17.000	11.000	410
6209-2Z-SKF	45	85	19	shielded on both sides	35,1	21,6	0,92	17.000	8.500	410
6209-2RS1-SKF	45	85	19	sealed on both sides	35,1	21,6	0,92	-	5.000	410
6309-SKF	45	100	25	open	55,3	31,5	1,34	15.000	9.500	830
6309-2Z-SKF	45	100	25	shielded on both sides	55,3	31,5	1,34	15.000	7.500	830
6309-2RS1-SKF	45	100	25	sealed on both sides	55,3	31,5	1,34	-	4.500	830
6010-SKF	50	80	16	open	22,9	16	0,71	18.000	11.000	260
6010-2Z-SKF	50	80	16	shielded on both sides	22,9	16	0,71	18.000	9.000	260
6010-2RS1-SKF	50	80	16	sealed on both sides	22,9	16	0,71	-	5.000	260
6210-SKF	50	90	20	open	37,1	23,2	0,98	15.000	10.000	460
6210-2Z-SKF	50	90	20	shielded on both sides	37,1	23,2	0,98	15.000	8.000	460
6210-2RS1-SKF	50	90	20	sealed on both sides	37,1	23,2	0,98	-	4.800	460
6310-SKF	50	110	27	open	65	38	1,6	13.000	8.500	1050
6310-2Z-SKF	50	110	27	shielded on both sides	65	38	1,6	13.000	6.700	1050
6310-2RS1-SKF	50	110	27	sealed on both sides	65	38	1,6	-	4.300	1050

\* Fatigue load limit.