

Chain Tensioners SPANN-BOX® Size 0, for Roller Chains DIN ISO 606 (formerly DIN 8187)

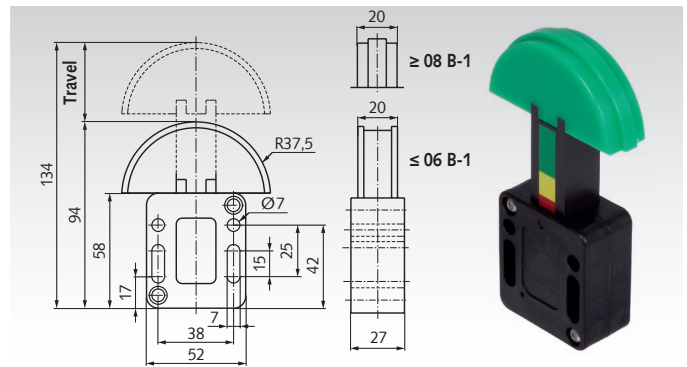
Material: Housing from thermoplast.
Chain rider from ultra-high-molecular polyethylene PE-UHMW.
Screws and spring from stainless steel.

These small, ready-to install tensioners enable noise reduction and wear reduction at chain drives.

- With spiral, linear spring. On choice two tensioning forces.
- With colored wear-off indicator: Green: o.k. Yellow: still o.k. Red: Tensioning force too low (below 32N or 60N).
- Usable travel up to the end of the yellow range: About 32 mm. Total travel about 40 mm.
- Interchangeable with similar parts of other suppliers.

Temperature range: -20°C to +60°C (short time up to +80°C).

Ordering Details: e.g.: Product No. 140 401 01, Spann-Box Size 0, low Tensioning Force, 06 B-1



SPANN-BOX® Size 0 with low Tensioning Force

Product No.	DIN ISO	Pitch Inch	Tens. Force N	Weight g
140 401 01	≤ 06 B-1	3/8 x 7/32"	58 - 32	130
140 401 05*	08 B-1	1/2 x 5/16"	58 - 32	130
140 401 05*	10 B-1	5/8 x 3/8"	58 - 32	135
140 401 07	12 B-1	3/4 x 7/16"	58 - 32	135
140 401 21	06 B-2	3/8 x 7/32"	58 - 32	130
140 401 25	08 B-2	1/2 x 5/16"	58 - 32	130
140 401 26	10 B-2	5/8 x 3/8"	58 - 32	135

* This size fits 08 B-1 and 10 B-1.

SPANN-BOX® Size 0 with high Tensioning Force

Product No.	DIN ISO	Pitch Inch	Tens. Force N	Weight g
140 402 01	≤ 06 B-1	3/8 x 7/32"	132 - 60	130
140 402 05*	08 B-1	1/2 x 5/16"	132 - 60	130
140 402 05*	10 B-1	5/8 x 3/8"	132 - 60	135
140 402 07	12 B-1	3/4 x 7/16"	132 - 60	135
140 402 21	06 B-2	3/8 x 7/32"	132 - 60	130
140 402 25	08 B-2	1/2 x 5/16"	132 - 60	130
140 402 26	10 B-2	5/8 x 3/8"	132 - 60	135

Mounting of SPANN-BOX® Size 0

At front- and backside, there is a small hole for a locking pin (pin is included at the bottom of the housing). With this pin, the tensioner can be locked at maximum force for easy mounting. Recommendation: Mounting on slack side. The chain should be in contact with several links. To reach a sufficient contact angle, it may be useful to mount an idler wheel (e.g. KSP or KSP-R) near by the tensioner.

Operating Instructions at www.maedler.de in the section Downloads

Technical Note to Chain Tensioners SPANN-BOX® and SPANN-BOY®

Function: These tensioners are powered by linear spiral springs. These elastic tensioners reduce the chain slack and compensate the elongation of chains.

Temperature range: The standard versions are suitable for -20°C to +60°C (short time up to +80°C). Special versions are available on request for temperatures down to -40°C or up to +200°C.

Determination of tensioning force: The tensioners SPANN-BOX® size 0 can be ordered with two different tensioning forces. At SPANN-BOX® size 1 and SPANN-BOY® TS, the tensioning force can get adjusted at different amounts. The weight of the loose chain slack should not be greater than the half of the maximum tensioning force.

Mounting: The tensioner should be placed at the loose chain slack, near by the driving wheel. For low wear-off, several links should be in contact with the chain rider. To reach a sufficient contact angle, it may be useful to mount an idler wheel (e.g. KSP or KSP-R) near by the tensioner. For easy mounting, all tensioners can get locked at maximum tensioning force. After mounting, the tensioners must get unlocked.

Maintenance: At all tensioners, the colored wear-off indicator must be checked periodically. The time of period depends on the operating conditions of the chain drive. When the red marking can be seen, the tensioning force is too low. Then, after locking the tensioner at maximum spring force and loosening the mounting screws, the tensioner can get re-adjusted, closer to the chain. Slot holes allow a re-adjustment in a wide range. When the chain elongation exceeds 3%, the chain and chain wheels should be replaced. If the chain rider is worn, also the complete tensioner should be replaced.