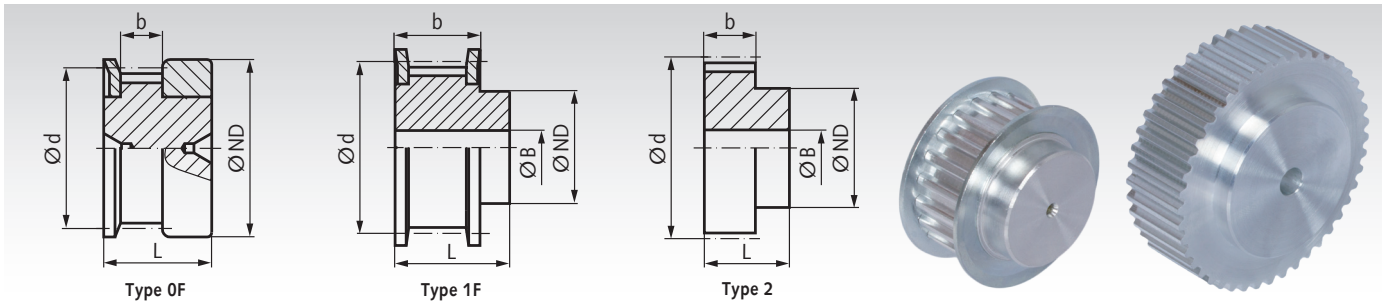


T Pulleys, Pitch 2.5 mm Made from Aluminium



Material: Aluminium similar to EN AW2017A. Flanges zinc-plated steel.

Ordering Details: e.g.: Product No. 160 210 00, Pulley, Pitch T2.5, 10 Teeth, Timing Belt Width 6 mm

Profile T 2.5, Timing Belt Width 6 mm

| Product No. Belt Width 6 mm | Type | Number of teeth | Type | Outside Ø | | | ND mm | b mm | L mm | Pilot Hole B mm | Weight g |
|-----------------------------------|--------------|--------------------|------|--------------|--------------|---------|----------|---------|---------|-----------------------|-------------|
| | | | | Pulley mm | Flange mm | d mm | | | | | |
| 160 210 00 | 16 T2,5/10-2 | 10 | 0F | 7,46 | 10 | 7,96 | 10 | 9 | 16 | - | 3 |
| 160 211 00 | 16 T2,5/11-2 | 11 | 0F | 8,25 | 13 | 8,75 | 10 | 9 | 16 | - | 3 |
| 160 212 00 | 16 T2,5/12-2 | 12 | 0F | 9,05 | 13 | 9,55 | 12 | 9 | 16 | - | 3 |
| 160 213 00 | 16 T2,5/13-2 | 13 | 0F | 9,85 | 13 | 10,35 | 12 | 9 | 16 | - | 4 |
| 160 214 00 | 16 T2,5/14-2 | 14 | 0F | 10,64 | 15 | 11,14 | 14 | 9 | 16 | - | 4 |
| 160 215 00 | 16 T2,5/15-2 | 15 | 0F | 11,44 | 15 | 11,94 | 15 | 9 | 16 | - | 5 |
| 160 216 00 | 16 T2,5/16-2 | 16 | 0F | 12,23 | 16 | 12,73 | 16 | 9 | 16 | - | 5 |
| 160 217 00 | 16 T2,5/17-2 | 17 | 1F | 13,03 | 18 | 13,53 | 10 | 10 | 16 | 3 | 6 |
| 160 218 00 | 16 T2,5/18-2 | 18 | 1F | 13,82 | 18 | 14,32 | 10 | 10 | 16 | 3 | 6 |
| 160 219 00 | 16 T2,5/19-2 | 19 | 1F | 14,62 | 18 | 15,12 | 10 | 10 | 16 | 3 | 7 |
| 160 220 00 | 16 T2,5/20-2 | 20 | 1F | 15,42 | 19,5 | 15,92 | 11 | 10 | 16 | 3 | 8 |
| 160 222 00 | 16 T2,5/22-2 | 22 | 1F | 17,01 | 23 | 17,51 | 11 | 10 | 16 | 3 | 9 |
| 160 224 00 | 16 T2,5/24-2 | 24 | 1F | 18,60 | 23 | 19,10 | 12 | 10 | 16 | 3 | 12 |
| 160 225 00 | 16 T2,5/25-2 | 25 | 1F | 19,39 | 23 | 19,89 | 13 | 10 | 16 | 3 | 13 |
| 160 226 00 | 16 T2,5/26-2 | 26 | 1F | 20,19 | 25 | 20,69 | 14 | 10 | 16 | 4 | 14 |
| 160 228 00 | 16 T2,5/28-2 | 28 | 1F | 21,78 | 25 | 22,28 | 14 | 10 | 16 | 4 | 16 |
| 160 230 00 | 16 T2,5/30-2 | 30 | 1F | 23,37 | 28 | 23,87 | 16 | 10 | 16 | 6 | 18 |
| 160 232 00 | 16 T2,5/32-2 | 32 | 1F | 24,96 | 32 | 25,46 | 16 | 10 | 16 | 6 | 20 |
| 160 236 00 | 16 T2,5/36-2 | 36 | 1F | 28,15 | 36 | 28,65 | 20 | 10 | 16 | 6 | 26 |
| 160 240 00 | 16 T2,5/40-2 | 40 | 1F | 31,33 | 38 | 31,83 | 22 | 10 | 16 | 6 | 32 |
| 160 244 00 | 16 T2,5/44-0 | 44 | 2 | 34,51 | - | 35,01 | 24 | 10 | 16 | 6 | 40 |
| 160 248 00 | 16 T2,5/48-0 | 48 | 2 | 37,70 | - | 38,20 | 26 | 10 | 16 | 6 | 48 |
| 160 260 00 | 16 T2,5/60-0 | 60 | 2 | 47,25 | - | 47,75 | 34 | 10 | 16 | 8 | 73 |
| 160 272 00 | 16 T2,5/72-0 | 72 | 2 | 56,80 | - | 57,30 | 34 | 10 | 16 | 10 | 79 |
| 160 284 00 | 16 T2,5/84-0 | 84 | 2 | 66,35 | - | 66,85 | 38 | 10 | 16 | 10 | 108 |
| 160 296 00 | 16 T2,5/96-0 | 96 | 2 | 75,89 | - | 76,39 | 40 | 10 | 16 | 10 | 139 |

Profile T 2.5, Timing Belt Width 10 mm

| Product No. Belt Width 10 mm | Type | Number of teeth | Type | Outside Ø | | | ND mm | b mm | L mm | Pilot Hole B mm | Weight g |
|------------------------------------|--------------|--------------------|------|--------------|--------------|---------|----------|---------|---------|-----------------------|-------------|
| | | | | Pulley mm | Flange mm | d mm | | | | | |
| 160 310 00 | 20 T2,5/10-2 | 10 | 0F | 7,46 | 10 | 7,96 | 10 | 13 | 20 | - | 3 |
| 160 311 00 | 20 T2,5/11-2 | 11 | 0F | 8,25 | 13 | 8,75 | 10 | 13 | 20 | - | 3 |
| 160 312 00 | 20 T2,5/12-2 | 12 | 0F | 9,05 | 13 | 9,55 | 12 | 13 | 20 | - | 4 |
| 160 313 00 | 20 T2,5/13-2 | 13 | 0F | 9,85 | 13 | 10,35 | 12 | 13 | 20 | - | 5 |
| 160 314 00 | 20 T2,5/14-2 | 14 | 0F | 10,64 | 15 | 11,14 | 14 | 13 | 20 | - | 6 |
| 160 315 00 | 20 T2,5/15-2 | 15 | 0F | 11,44 | 15 | 11,94 | 15 | 13 | 20 | - | 7 |
| 160 316 00 | 20 T2,5/16-2 | 16 | 0F | 12,23 | 16 | 12,73 | 16 | 13 | 20 | - | 7 |
| 160 317 00 | 20 T2,5/17-2 | 17 | 1F | 13,03 | 18 | 13,53 | 10 | 14 | 20 | 3 | 8 |
| 160 318 00 | 20 T2,5/18-2 | 18 | 1F | 13,82 | 18 | 14,32 | 10 | 14 | 20 | 3 | 8 |
| 160 319 00 | 20 T2,5/19-2 | 19 | 1F | 14,62 | 18 | 15,12 | 10 | 14 | 20 | 3 | 10 |
| 160 320 00 | 20 T2,5/20-2 | 20 | 1F | 15,42 | 19,5 | 15,92 | 11 | 14 | 20 | 3 | 11 |
| 160 322 00 | 20 T2,5/22-2 | 22 | 1F | 17,01 | 23 | 17,51 | 11 | 14 | 20 | 3 | 13 |
| 160 324 00 | 20 T2,5/24-2 | 24 | 1F | 18,60 | 23 | 19,10 | 12 | 14 | 20 | 3 | 17 |
| 160 325 00 | 20 T2,5/25-2 | 25 | 1F | 19,39 | 23 | 19,89 | 13 | 14 | 20 | 3 | 18 |
| 160 326 00 | 20 T2,5/26-2 | 26 | 1F | 20,19 | 25 | 20,69 | 14 | 14 | 20 | 4 | 20 |
| 160 328 00 | 20 T2,5/28-2 | 28 | 1F | 21,78 | 25 | 22,28 | 14 | 14 | 20 | 4 | 22 |
| 160 330 00 | 20 T2,5/30-2 | 30 | 1F | 23,37 | 28 | 23,87 | 16 | 14 | 20 | 6 | 25 |
| 160 332 00 | 20 T2,5/32-2 | 32 | 1F | 24,96 | 32 | 25,46 | 16 | 14 | 20 | 6 | 28 |
| 160 336 00 | 20 T2,5/36-2 | 36 | 1F | 28,15 | 36 | 28,65 | 20 | 14 | 20 | 6 | 36 |
| 160 340 00 | 20 T2,5/40-2 | 40 | 1F | 31,33 | 38 | 31,83 | 22 | 14 | 20 | 6 | 45 |
| 160 344 00 | 20 T2,5/44-0 | 44 | 2 | 34,51 | - | 35,01 | 24 | 14 | 20 | 6 | 56 |
| 160 348 00 | 20 T2,5/48-0 | 48 | 2 | 37,70 | - | 38,20 | 26 | 14 | 20 | 6 | 67 |
| 160 360 00 | 20 T2,5/60-0 | 60 | 2 | 47,25 | - | 47,75 | 34 | 14 | 20 | 8 | 102 |
| 160 372 00 | 20 T2,5/72-0 | 72 | 2 | 56,80 | - | 57,30 | 34 | 14 | 20 | 10 | 104 |
| 160 384 00 | 20 T2,5/84-0 | 84 | 2 | 66,35 | - | 66,85 | 38 | 14 | 20 | 10 | 145 |
| 160 396 00 | 20 T2,5/96-0 | 96 | 2 | 75,89 | - | 76,39 | 40 | 14 | 20 | 10 | 187 |