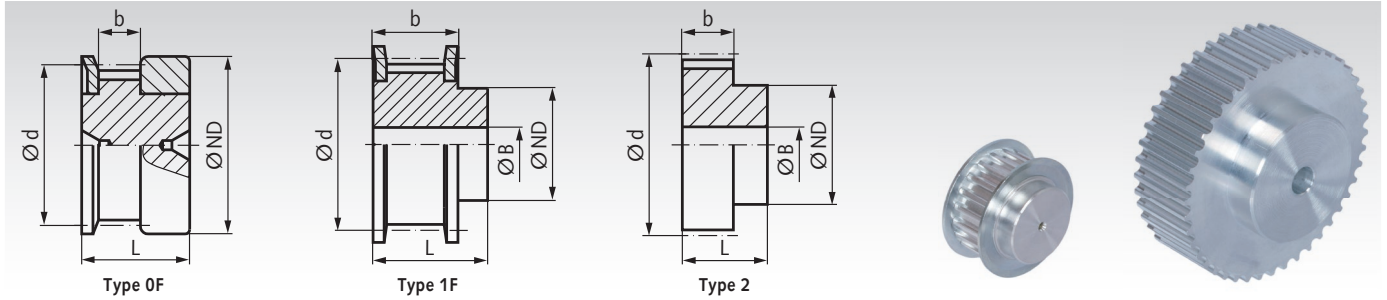


HTD Pulleys Profile 3M



Material: Aluminium similar to EN AW2017A.
Flanges zinc-plated steel.

Timing belt width 6 mm available on request.

These HTD pulleys are manufactured pitch-true with special cutters. This leads to a precise meshing of teeth.

Ordering Details: e.g.: Product No. 170 210 00, Pulleys, Pitch 3 mm, 10 Teeth, Timing Belt Width 9 mm

Profile 3M, Timing Belt Width 9 mm

Product No. Belt Width 9 mm	Number of teeth	Type	Outside Ø		d mm	ND mm	b mm	L mm	Pilot Hole B mm	Custom Bore B max. mm	Weight g
			Pulley mm	Flange mm							
170 210 00	10	0F	8,79	13,0	9,55	12,0	10,2	17,5	-	3,5	3,6
170 212 00	12	0F	10,70	15,0	11,46	15,0	10,2	17,5	-	5,0	5,2
170 214 00	14	0F	12,61	16,0	13,37	16,0	10,2	17,5	-	6,0	6,6
170 215 00	15	0F	13,56	18,0	14,32	17,5	10,2	17,5	-	6,0	7,7
170 216 00	16	1F	14,52	18,0	15,28	10,0	12,8	20,6	4	5,5	6,6
170 217 00	17	1F	15,47	19,5	16,23	11,0	12,8	20,6	4	6,5	8,0
170 218 00	18	1F	16,43	19,5	17,19	11,0	12,8	20,6	6	6,5	7,7
170 220 00	20	1F	18,34	23,0	19,10	13,0	12,8	20,6	6	8,0	10,4
170 221 00	21	1F	19,29	25,0	20,05	14,0	12,8	20,6	6	9,0	12,5
170 222 00	22	1F	20,25	25,0	21,01	14,0	12,8	20,6	6	9,0	14
170 224 00	24	1F	22,16	25,0	22,92	14,0	12,8	20,6	6	9,0	15
170 225 00	25	1F	23,11	28,0	23,87	15,0	12,8	20,6	6	9,5	18
170 226 00	26	1F	24,07	28,0	24,83	16,0	12,8	20,6	6	10,0	18,6
170 228 00	28	1F	25,98	32,0	26,74	18,0	12,8	20,6	6	11,0	23
170 230 00	30	1F	27,89	32,0	28,65	20,0	12,8	20,6	6	12,5	27
170 232 00	32	1F	29,80	36,0	30,56	22,0	12,8	20,6	6	13,5	32
170 234 00	34	1F	31,71	36,0	32,47	24,0	12,8	20,6	6	14,0	37
170 236 00	36	1F	33,62	38,0	34,38	26,0	13,4	22,2	6	15,0	44,2
170 240 00	40	1F	37,44	42,0	38,20	28,0	13,4	22,2	6	16,5	53
170 244 00	44	1F	41,25	48,0	42,02	33,0	13,4	22,2	6	20,0	66
170 248 00	48	2	45,07	-	45,84	33,0	13,4	22,2	8	20,0	72
170 252 00	52	2	48,89	-	49,66	33,0	13,4	22,2	8	20,0	83
170 260 00	60	2	56,53	-	57,30	33,0	13,4	22,2	8	20,0	105
170 272 00	72	2	67,99	-	68,75	33,0	13,4	22,2	8	20,0	146
170 280 00	80	2	75,63	-	76,39	45,0	13,4	22,2	8	30,0	198
170 290 00	90	2	85,18	-	85,94	55,0	13,4	22,2	8	40,0	259

Profile 3M, Timing Belt Width 15 mm

Product No. Belt Width 15 mm	Number of teeth	Type	Outside Ø		d mm	ND mm	b mm	L mm	Pilot Hole B mm	Custom Bore B max. mm	Weight g
			Pulley mm	Flange mm							
170 310 00	10	0F	8,79	13,0	9,55	12,0	17,0	26	-	3,5	5
170 312 00	12	0F	10,70	15,0	11,46	15,0	17,0	26	-	5,0	7,4
170 314 00	14	0F	12,61	16,0	13,37	16,0	17,0	26	-	6,0	9,4
170 315 00	15	0F	13,56	18,0	14,32	17,5	17,0	26	-	6,0	11
170 316 00	16	1F	14,52	18,0	15,28	10,0	19,5	26	4	5,5	8,5
170 317 00	17	1F	15,47	19,5	16,23	11,0	19,5	26	4	6,5	10
170 318 00	18	1F	16,43	19,5	17,19	11,0	19,5	26	6	6,5	10,2
170 320 00	20	1F	18,34	23,0	19,10	13,0	19,5	26	6	8,0	13,8
170 321 00	21	1F	19,29	25,0	20,05	14,0	19,5	26	6	9,0	16,2
170 322 00	22	1F	20,25	25,0	21,01	14,0	19,5	26	6	9,0	17,2
170 324 00	24	1F	22,16	25,0	22,92	14,0	19,5	26	6	9,0	20
170 325 00	25	1F	23,11	28,0	23,87	15,0	19,5	26	6	9,5	23
170 326 00	26	1F	24,07	28,0	24,83	16,0	19,5	26	6	10,0	25
170 328 00	28	1F	25,98	32,0	26,74	18,0	19,5	26	6	11,0	31
170 330 00	30	1F	27,89	32,0	28,65	20,0	19,5	26	6	12,5	35
170 332 00	32	1F	29,80	36,0	30,56	22,0	19,5	26	6	13,5	41
170 334 00	34	1F	31,71	36,0	32,47	24,0	19,5	26	6	14,0	48
170 336 00	36	1F	33,62	38,0	34,38	26,0	20,0	30	6	15,0	60
170 340 00	40	1F	37,44	42,0	38,20	28,0	20,0	30	6	16,5	72
170 344 00	44	1F	41,25	48,0	42,02	33,0	20,0	30	6	20,0	95
170 348 00	48	2	45,07	-	45,84	33,0	20,0	30	8	20,0	101
170 352 00	52	2	48,89	-	49,66	33,0	20,0	30	8	20,0	117
170 360 00	60	2	56,53	-	57,30	33,0	20,0	30	8	20,0	151
170 372 00	72	2	67,99	-	68,75	33,0	20,0	30	8	20,0	212
170 380 00	80	2	75,63	-	76,39	45,0	20,0	30	8	30,0	279
170 390 00	90	2	85,18	-	85,94	55,0	20,0	30	8	40,0	371