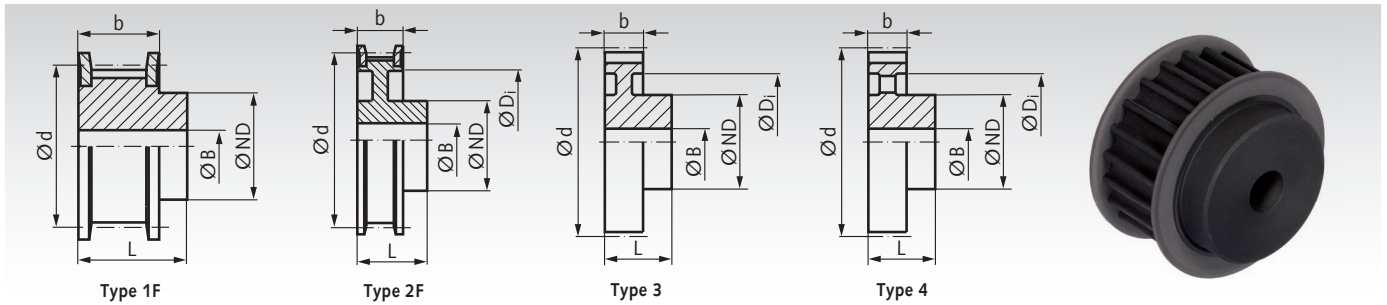


## HTD Pulleys Profile 8M



**Material:** Up to a Teeth Number of 72 phosphated steel, from a Teeth Number of 80 phosphated grey cast iron GG25.

These HTD pulleys are manufactured pitch-true with special cutters. This leads to a precise meshing of teeth.

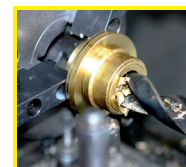
Ordering Details: e.g.: Product No. 174 111 00, Pulleys, Pitch 8 mm, 22 Teeth, Timing Belt Width 20 mm

### Profile 8M, Timing Belt Width 20 mm

| Product No.<br>Belt Width<br>20mm | Number<br>of teeth | Type | Outside-Ø    |              | d<br>mm | ND<br>mm | b<br>mm | L<br>mm | Di<br>mm | Pilot Bore<br>B<br>mm | Custom Bore<br>B max.<br>mm | Weight<br>kg |
|-----------------------------------|--------------------|------|--------------|--------------|---------|----------|---------|---------|----------|-----------------------|-----------------------------|--------------|
|                                   |                    |      | Pulley<br>mm | Flange<br>mm |         |          |         |         |          |                       |                             |              |
| 174 111 00                        | 22                 | 1F   | 54,65        | 60           | 56,02   | 43       | 28      | 38      | -        | 12                    | 25                          | 0,535        |
| 174 112 00                        | 24                 | 1F   | 59,74        | 66           | 61,12   | 45       | 28      | 38      | -        | 12                    | 28                          | 0,645        |
| 174 112 50                        | 25                 | 1F   | 62,29        | 66           | 63,66   | 45       | 28      | 38      | -        | 12                    | 28                          | 0,693        |
| 174 113 00                        | 26                 | 1F   | 64,84        | 71           | 66,21   | 48       | 28      | 38      | -        | 12                    | 30                          | 0,753        |
| 174 114 00                        | 28                 | 1F   | 70,08        | 75           | 71,30   | 50       | 28      | 38      | -        | 14                    | 30                          | 0,859        |
| 174 115 00                        | 30                 | 1F   | 75,12        | 83           | 76,39   | 55       | 28      | 38      | -        | 14                    | 32                          | 1,02         |
| 174 116 00                        | 32                 | 1F   | 80,17        | 87           | 81,49   | 60       | 28      | 38      | -        | 14                    | 35                          | 1,19         |
| 174 117 00                        | 34                 | 1F   | 85,21        | 91           | 86,58   | 66       | 28      | 38      | -        | 14                    | 42                          | 1,36         |
| 174 118 00                        | 36                 | 1F   | 90,30        | 97           | 91,67   | 70       | 28      | 38      | -        | 14                    | 42                          | 1,55         |
| 174 119 00                        | 38                 | 1F   | 95,39        | 103          | 96,77   | 75       | 28      | 38      | -        | 14                    | 45                          | 1,74         |
| 174 120 00                        | 40                 | 1F   | 100,49       | 106          | 101,86  | 75       | 28      | 38      | -        | 14                    | 45                          | 1,90         |
| 174 122 00                        | 44                 | 1F   | 110,67       | 119          | 112,05  | 75       | 28      | 38      | -        | 14                    | 45                          | 2,27         |
| 174 124 00                        | 48                 | 1F   | 120,86       | 127          | 122,23  | 75       | 28      | 38      | -        | 14                    | 45                          | 2,66         |
| 174 128 00                        | 56                 | 2F   | 141,23       | 148          | 142,60  | 80       | 28      | 38      | 116      | 14                    | 45                          | 2,85         |
| 174 130 00                        | 60                 | 2F   | 151,42       | 158          | 152,79  | 80       | 28      | 38      | 125      | 14                    | 45                          | 3,10         |
| 174 132 00                        | 64                 | 2F   | 161,60       | 168          | 162,97  | 80       | 28      | 38      | 137      | 14                    | 45                          | 3,28         |
| 174 136 00                        | 72                 | 2F   | 181,97       | 192          | 183,35  | 80       | 28      | 38      | 158      | 14                    | 45                          | 3,82         |
| 174 140 00                        | 80                 | 3    | 202,35       | -            | 203,72  | 90       | 28      | 38      | 180      | 14                    | 50                          | 4,32         |
| 174 145 00                        | 90                 | 3    | 227,81       | -            | 229,18  | 90       | 28      | 38      | 204      | 14                    | 50                          | 5,04         |
| 174 156 00                        | 112                | 3    | 283,83       | -            | 285,21  | 90       | 28      | 38      | 254      | 18                    | 75                          | 6,00         |

### Profile 8M, Timing Belt Width 30 mm

| Product No.<br>Belt Width<br>30mm | Number<br>of teeth | Type | Outside-Ø    |              | d<br>mm | ND<br>mm | b<br>mm | L<br>mm | Di<br>mm | Pilot Bore<br>B<br>mm | Custom Bore<br>B max.<br>mm | Weight<br>kg |
|-----------------------------------|--------------------|------|--------------|--------------|---------|----------|---------|---------|----------|-----------------------|-----------------------------|--------------|
|                                   |                    |      | Pulley<br>mm | Flange<br>mm |         |          |         |         |          |                       |                             |              |
| 174 211 00                        | 22                 | 1F   | 54,65        | 60           | 56,02   | 43       | 38      | 48      | -        | 12                    | 25                          | 0,683        |
| 174 212 00                        | 24                 | 1F   | 59,74        | 66           | 61,12   | 45       | 38      | 48      | -        | 12                    | 28                          | 0,827        |
| 174 212 50                        | 25                 | 1F   | 62,29        | 66           | 63,66   | 45       | 38      | 48      | -        | 12                    | 28                          | 0,900        |
| 174 213 00                        | 26                 | 1F   | 64,84        | 71           | 66,21   | 50       | 38      | 48      | -        | 12                    | 30                          | 0,979        |
| 174 214 00                        | 28                 | 1F   | 70,08        | 75           | 71,30   | 50       | 38      | 48      | -        | 14                    | 30                          | 1,11         |
| 174 215 00                        | 30                 | 1F   | 75,12        | 83           | 76,39   | 55       | 38      | 48      | -        | 14                    | 32                          | 1,31         |
| 174 216 00                        | 32                 | 1F   | 80,17        | 87           | 81,49   | 60       | 38      | 48      | -        | 14                    | 35                          | 1,52         |
| 174 217 00                        | 34                 | 1F   | 85,21        | 91           | 86,58   | 66       | 38      | 48      | -        | 14                    | 42                          | 1,74         |
| 174 218 00                        | 36                 | 1F   | 90,30        | 97           | 91,67   | 70       | 38      | 48      | -        | 14                    | 42                          | 1,98         |
| 174 219 00                        | 38                 | 1F   | 95,39        | 103          | 96,77   | 75       | 38      | 48      | -        | 14                    | 45                          | 2,23         |
| 174 220 00                        | 40                 | 1F   | 100,49       | 106          | 101,86  | 75       | 38      | 48      | -        | 14                    | 45                          | 2,47         |
| 174 222 00                        | 44                 | 1F   | 110,67       | 119          | 112,05  | 75       | 38      | 48      | -        | 14                    | 45                          | 2,95         |
| 174 224 00                        | 48                 | 1F   | 120,86       | 127          | 122,23  | 75       | 38      | 48      | -        | 14                    | 45                          | 3,47         |
| 174 228 00                        | 56                 | 2F   | 141,23       | 148          | 142,60  | 90       | 38      | 48      | 116      | 14                    | 50                          | 4,00         |
| 174 230 00                        | 60                 | 2F   | 151,42       | 158          | 152,79  | 90       | 38      | 48      | 125      | 14                    | 50                          | 4,30         |
| 174 232 00                        | 64                 | 2F   | 161,60       | 168          | 162,97  | 90       | 38      | 48      | 137      | 14                    | 50                          | 4,56         |
| 174 236 00                        | 72                 | 2F   | 181,97       | 192          | 183,35  | 95       | 38      | 48      | 158      | 14                    | 55                          | 5,41         |
| 174 240 00                        | 80                 | 3    | 202,35       | -            | 203,72  | 100      | 38      | 48      | 180      | 14                    | 60                          | 5,71         |
| 174 245 00                        | 90                 | 3    | 227,81       | -            | 229,18  | 100      | 38      | 48      | 204      | 14                    | 60                          | 6,65         |
| 174 256 00                        | 112                | 4    | 283,83       | -            | 285,21  | 100      | 38      | 48      | 254      | 18                    | 75                          | 6,80         |



**Reworking within  
24h-service possible.  
Custom made parts  
on request.**