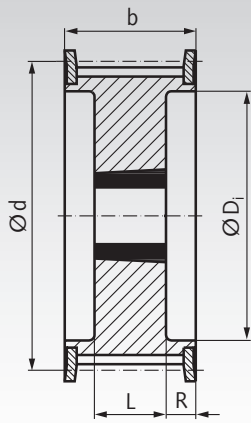


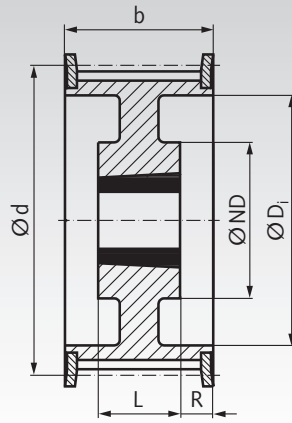
HTD Pulleys, Profile 14M for Taper Bushes



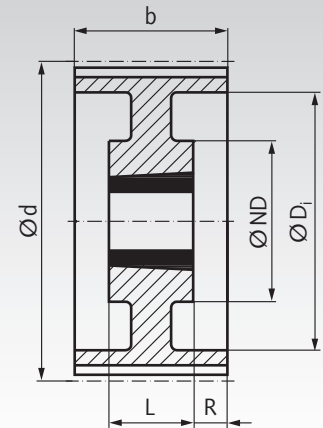
Material: Up to a Teeth Number of 56 phosphated steel, from a Teeth Number of 64 phosphated grey cast iron GG25.



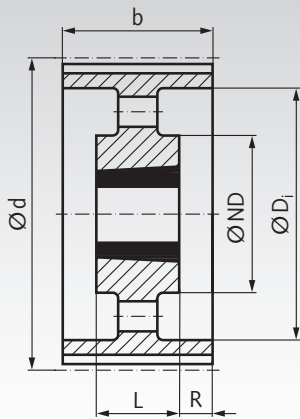
Type 18F



Type 19F



Type 19



Type 20

HTD Pulleys, Profile 14M for Taper Bushes

Material: Up to a Teeth Number of 56 phosphated steel, from a Teeth Number of 64 phosphated grey cast iron GG25. Drawings see page 156.

Timing Belt Width 40 mm

Ordering Details: e.g.: Product No. 176 771 14, Taper-Pulley 14M, 28 Teeth for Width 40 mm

Product No. Belt Width 40mm	Number of teeth	Type	Outside Ø		d mm	ND mm	D _i mm	b mm	L mm	R mm	Taper- Bush Type Page 340	Bore Ø		Weight kg
			Pulley mm	Flange mm								min. mm	max. mm	
176 771 14	28	18F	122,13	127	124,78	-	94	54	32	11	2012	12	50	2,1
176 771 15	30	18F	130,99	138	133,69	-	98	54	32	11	2012	12	50	2,7
176 771 16	32	18F	139,89	154	142,60	-	108	54	32	11	2012	12	50	3,4
176 771 17	34	18F	148,80	160	151,52	-	110	54	45	4,5	2517	15	65	3,9
176 771 18	36	18F	157,68	168	160,43	-	120	54	45	4,5	2517	15	65	4,8
176 771 19	38	18F	166,60	183	169,34	-	130	54	45	4,5	2517	15	65	5,4
176 771 20	40	18F	175,49	188	178,25	-	138	54	45	4,5	2517	15	65	6,0
176 771 22	44	18F	193,28	211	196,08	-	155	54	51	1,5	3020	20	75	7,5
176 771 24	48	18F	211,11	226	213,90	-	170	54	51	1,5	3020	20	75	8,5
176 771 28	56	18F	246,76	256	249,55	-	208	54	51	1,5	3020	20	75	10,1
176 771 36	72	19	318,06	-	320,86	170	280	54	51	1,5	3020	20	75	15,0
176 771 40	80	20	353,71	-	356,51	170	315	54	51	1,5	3020	20	75	16,0
176 771 45	90	20	398,28	-	401,07	170	360	54	51	1,5	3020	20	75	18,0

Timing Belt Width 55 mm

Ordering Details: e.g.: Product No. 176 772 14, Taper-Pulley 14M, 28 Teeth for Width 55 mm

Product No. Belt Width 55mm	Number of teeth	Type	Outside Ø		d mm	ND mm	D _i mm	b mm	L mm	R mm	Taper- Bush Type Page 340	Bore Ø		Weight kg
			Pulley mm	Flange mm								min. mm	max. mm	
176 772 14	28	18F	122,13	127	124,78	-	94	70	32	19,0	2012	12	50	2,2
176 772 15	30	18F	130,99	138	133,69	-	98	70	45	12,5	2517	15	65	2,7
176 772 16	32	18F	139,89	154	142,60	-	108	70	45	12,5	2517	15	65	3,6
176 772 17	34	18F	148,80	160	151,52	-	110	70	45	12,5	2517	15	65	4,5
176 772 18	36	18F	157,68	168	160,43	-	120	70	45	12,5	2517	15	65	5,2
176 772 19	38	18F	166,60	183	169,34	-	130	70	45	12,5	2517	15	65	6,2
176 772 20	40	18F	175,49	188	178,25	-	138	70	45	12,5	2517	15	65	6,9
176 772 22	44	18F	193,28	211	196,08	-	155	70	51	9,5	3020	20	75	8,6
176 772 24	48	18F	211,11	226	213,90	-	170	70	51	9,5	3020	20	75	10,5
176 772 28	56	18F	246,76	256	249,55	-	208	70	51	9,5	3020	20	75	13,5
176 772 32	64	19F	282,41	296	285,21	170	240	70	51	9,5	3020	20	75	14,5
176 772 36	72	19	318,06	-	320,86	170	280	70	51	9,5	3020	20	75	16,3
176 772 40	80	20	353,71	-	356,51	170	315	70	51	9,5	3020	20	75	17,5
176 772 45	90	20	398,28	-	401,07	170	360	70	51	9,5	3020	20	75	20,0

Timing Belt Width 85 mm

Ordering Details: e.g.: Product No. 176 773 14, Taper-Pulley 14M, 28 Teeth for Width 85 mm

Product No. Belt Width 85mm	Number of teeth	Type	Outside Ø		d mm	ND mm	D _i mm	b mm	L mm	R mm	Taper- Bush Type Page 340	Bore Ø		Weight kg
			Pulley mm	Flange mm								min. mm	max. mm	
176 773 14	28	18F	122,13	127	124,78	-	98	102	45	28,5	2517	15	65	2,7
176 773 15	30	18F	130,99	138	133,69	-	100	102	45	28,5	2517	15	65	3,8
176 773 16	32	18F	139,89	154	142,60	-	108	102	45	28,5	2517	15	65	4,7
176 773 17	34	18F	148,80	160	151,52	-	110	102	45	28,5	2517	15	65	6,0
176 773 18	36	18F	157,68	168	160,43	-	125	102	51	25,5	3020	20	75	5,7
176 773 19	38	18F	166,60	183	169,34	-	130	102	51	25,5	3020	20	75	6,8
176 773 20	40	18F	175,49	188	178,25	-	138	102	51	25,5	3020	20	75	8,0
176 773 22	44	18F	193,28	211	196,08	-	155	102	76	13,0	3030	30	75	11,7
176 773 24	48	18F	211,11	226	213,90	-	170	102	76	13,0	3030	30	75	15,0
176 773 28	56	18F	246,76	256	249,55	-	210	102	65	18,5	3525	35	90	19,0
176 773 32	64	19F	282,41	296	285,21	190	240	102	65	18,5	3525	35	90	23,5
176 773 36	72	19	318,06	-	320,86	190	280	102	65	18,5	3525	35	90	25,0
176 773 40	80	20	353,71	-	356,51	190	315	102	65	18,5	3525	35	90	26,0
176 773 45	90	20	398,28	-	401,07	190	360	102	65	18,5	3525	35	90	28,0

Matching Taper bushes see page 340.
Mounting instructions see page 867.