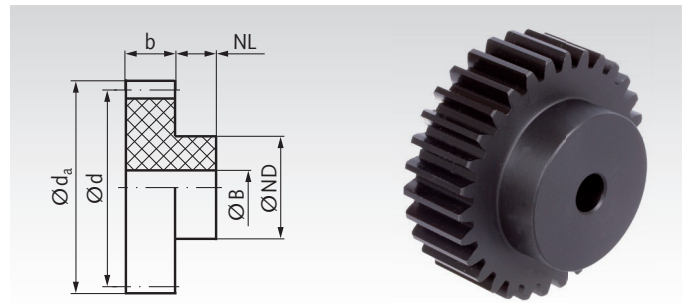


Spur Gears made from POM, Black, wide Version, with One-Sided Hub, Straight Tooth System, Milled Teeth

Tooth quality 10d25 DIN 3967.
 Pressure angle 20°.
 Untoleranced dimensions in accordance with DIN ISO 2768 m.
 Temperature limit: continuous 100°C, only short time 140°C.
 Water absorption (satiated) 0.5% Cws.
 Other material reference values page 864.



Order. Details: e.g.: Product No. 293 110 10, Spur Gear, POM black, Module 1, 10 Teeth

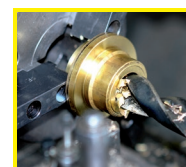
Module 1 Tooth Width b = 15 mm

Product No.	Number of teeth	b mm	da mm	d mm	NL mm	ND mm	BS10 mm	perm. MT* Nm	Weight g
293 110 10	10	15	12	10	10	8	4	0,12	1,6
293 110 12	12	15	14	12	10	9	4	0,17	2,2
293 110 15	15	15	17	15	10	12	6	0,26	4,3
293 110 18	18	15	20	18	10	15	6	0,33	6,8
293 110 20	20	15	22	20	10	16	6	0,44	8,3
293 110 24	24	15	26	24	10	20	8	0,68	11,5
293 110 25	25	15	27	25	10	20	8	0,74	12,3
293 110 28	28	15	30	28	10	20	8	0,96	14,9
293 110 30	30	15	32	30	10	20	8	1,14	16,8
293 110 32	32	15	34	32	10	25	8	1,32	21,3
293 110 36	36	15	38	36	10	25	8	1,74	25,7
293 110 40	40	15	42	40	10	25	8	2,22	30,7
293 110 45	45	15	47	45	10	30	8	2,94	40,6
293 110 50	50	15	52	50	10	30	8	3,68	48,4
293 110 56	56	15	58	56	10	40	8	4,11	66,4
293 110 60	60	15	62	60	10	40	8	4,43	73,9
293 110 72	72	15	74	72	10	50	10	5,36	109
293 110 75	75	15	77	75	10	50	10	5,58	116
293 110 80	80	15	82	80	10	60	10	5,96	141
293 110 90	90	15	92	90	10	60	10	6,71	169
293 111 00	100	15	102	100	10	60	10	7,44	200

Module 1.5 Tooth Width b = 17 mm

Product No.	Number of teeth	b mm	da mm	d mm	NL mm	ND mm	BS10 mm	perm. MT* Nm	Weight g
295 110 10	10	17	18	15	13	12	6	0,34	5,0
295 110 12	12	17	21	18	13	14	6	0,48	7,6
295 110 15	15	17	25,5	22,5	13	18	8	0,71	11,9
295 110 18	18	17	30	27	13	20	8	0,93	16,5
295 110 20	20	17	33	30	13	25	8	1,20	22,8
295 110 24	24	17	39	36	13	25	8	1,87	30,2
295 110 25	25	17	40,5	37,5	13	25	8	2,06	32,2
295 110 28	28	17	45	42	13	30	8	2,70	42,7
295 110 30	30	17	48	45	13	30	8	3,18	47,5
295 110 36	36	17	57	54	13	35	8	4,91	68,6
295 110 40	40	17	63	60	13	40	8	6,31	86,6
295 110 45	45	17	70,5	67,5	13	50	12	8,34	115
295 110 50	50	17	78	75	13	50	12	9,38	135
295 110 56	56	17	87	84	13	60	12	9,66	177
295 110 60	60	17	93	90	13	60	12	11,4	196
295 110 72	72	17	111	108	13	80	12	13,4	302
295 110 90	90	17	138	135	13	80	12	17,1	423

* Basis of calculations see page 197.



**Reworking within
24h-service possible.
Custom made parts
on request.**