

Spur Gears Made From Plastic with Steel Core, Milled, Straight Teeth

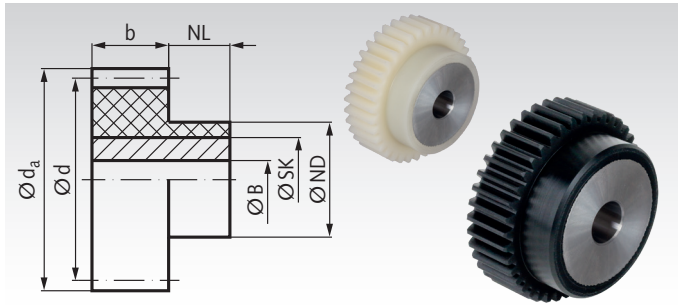
Material: Plastic PA 12 G, white (natural color) or black.
Steel core: Choice of steel or stainless steel 1.4305 (AISI 303).



Tooth quality 8e25 DIN 3967.

Temperature range -60°C to +120° C, short periods 150° C.

- Special plastic with excellent material properties.
- Enables snugly fitting, high strength shaft-hub connection.
- Optimal force transmission due to cylindrical contact area.
- Light, silent and clean, with excellent dry running properties.



Ordering Details: e.g.: Product No. 232 550 15, spur gear, module 2.5, 15 teeth, white

Module 2.5 Tooth width b = 25 mm

Product No. Steel Core white	Product No. Steel Core black	Product No. Stainless Core white	Product No. Stainless Core black	Number of teeth	b mm	da mm	d mm	NL mm	ND mm	SK mm	BH7 mm	perm.MD* Nm	Weight g
232 550 15	232 552 15	232 950 15	-	15	25	42,5	37,5	15	31	25	10	3,2	148
232 550 18	-	232 950 18	232 952 18	18	25	50	45	15	35	25	10	4,3	164
232 550 20	232 552 20	232 950 20	232 952 20	20	25	55	50	15	45	35	15	5,6	280
232 550 24	232 552 24	232 950 24	232 952 24	24	25	65	60	15	50	40	15	8,8	388
232 550 25	232 552 25	232 950 25	232 952 25	25	25	67,5	62,5	15	50	40	15	9,6	394
232 550 30	232 552 30	232 950 30	232 952 30	30	25	80	75	15	55	45	15	15,0	525
232 550 32	-	232 950 32	-	32	25	85	80	15	65	55	15	17,6	768
232 550 36	232 552 36	232 950 36	-	36	25	95	90	15	70	60	15	22,8	933
232 550 40	232 552 40	232 950 40	232 952 40	40	25	105	100	15	75	65	20	29,9	1070
232 550 45	-	232 950 45	-	45	25	117,5	112,5	15	80	70	20	34,5	1276
232 550 48	-	232 950 48	-	48	25	125	120	15	85	75	20	35,3	1475
232 550 50	-	232 950 50	-	50	25	130	125	15	85	75	20	38,8	1499
232 550 60	-	232 950 60	-	60	25	155	150	15	100	90	20	46,8	2197
232 550 70	-	232 950 70	-	70	25	180	175	15	100	90	20	54,8	2358
232 550 72	-	232 950 72	-	72	25	185	180	15	110	90	20	56,1	2824
232 550 80	-	232 950 80	-	80	25	205	200	15	120	110	20	62,2	3451

Module 3 Tooth width b = 30 mm

Product No. Steel Core white	Product No. Steel Core black	Product No. Stainless Core white	Product No. Stainless Core black	Number of teeth	b mm	da mm	d mm	NL mm	ND mm	SK mm	BH7 mm	perm.MD* Nm	Weight g
233 550 15	233 552 15	233 950 15	233 952 15	15	30	51	45	20	35	25	10	5,8	204
233 550 18	233 552 18	233 950 18	233 952 18	18	30	60	54	20	45	35	10	7,7	398
233 550 20	233 552 20	233 950 20	233 952 20	20	30	66	60	20	45	35	15	10,1	376
233 550 24	233 552 24	233 950 24	233 952 24	24	30	78	72	20	55	45	15	15,8	643
233 550 25	233 552 25	233 950 25	233 952 25	25	30	81	75	20	55	45	15	17,5	654
233 550 30	233 552 30	233 950 30	233 952 30	30	30	96	90	20	70	60	15	27,2	1163
233 550 36	233 552 36	233 950 36	233 952 36	36	30	114	108	20	80	70	20	42,0	1565
233 550 40	233 552 40	233 950 40	233 952 40	40	30	126	120	20	85	75	20	52,4	1837
233 550 45	-	233 950 45	-	45	30	141	135	20	85	75	20	59,5	1927
233 550 48	-	233 950 48	-	48	30	150	144	20	90	80	20	63,8	2208
233 550 50	-	233 950 50	-	50	30	156	150	20	100	90	20	66,7	2734
233 550 60	-	233 950 60	-	60	30	186	180	20	100	90	20	81,0	2969

Module 4 Tooth width b = 40 mm

Product No. Steel Core white	Product No. Steel Core black	Product No. Stainless Core white	Product No. Stainless Core black	Number of teeth	b mm	da mm	d mm	NL mm	ND mm	SK mm	BH7 mm	perm.MD* Nm	Weight g
234 550 12	-	234 950 12	-	12	40	56	48	20	35	25	10	8,1	256
234 550 15	234 552 15	234 950 15	234 952 15	15	40	68	60	20	50	40	20	12,1	519
234 550 16	-	234 950 16	-	16	40	72	64	20	50	40	20	13,5	535
234 550 20	234 552 20	234 950 20	234 952 20	20	40	88	80	20	65	55	20	20,9	1100
234 550 24	234 552 24	234 950 24	234 952 24	24	40	104	96	20	75	65	20	33,4	1588
234 550 25	234 552 25	234 950 25	234 952 25	25	40	108	100	20	75	65	20	38,4	1613
234 550 30	234 552 30	234 950 30	234 952 30	30	40	128	120	20	85	75	20	66,1	2227
234 550 36	234 552 36	234 950 36	-	36	40	152	144	20	100	90	30	98,7	3081
234 550 40	234 552 40	234 950 40	-	40	40	168	160	20	100	90	30	120,4	3234
234 550 45	-	234 950 45	-	45	40	188	180	20	110	90	30	135,6	4092
234 550 50	234 552 50	234 950 50	234 952 50	50	40	208	200	20	120	110	30	153,0	5042
234 550 60	-	234 950 60	-	60	40	248	240	20	130	120	30	185,8	6376

* Basis of calculations see page 197.