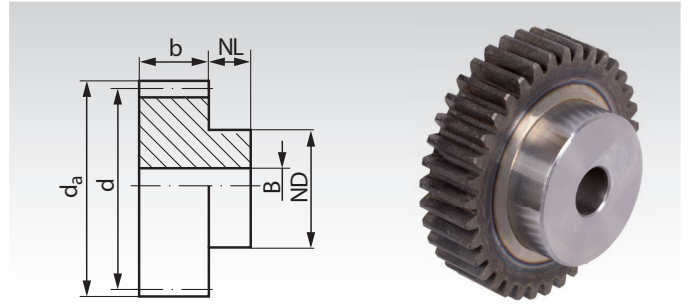


## Spur Gears with One-Sided Hub, Milled Teeth, Straight Tooth System, Teeth Induction Hardened

**Material:** C45. Teeth milled in quality 8d25 DIN 3967.  
 After milling, the tooth area is induction hardened, 54 + 4 HRC.  
 The hardening sets the tooth quality to 10-11.  
 Pressure angle 20°.



Ordering Details: e.g.: Product No. 235 881 12, Spur Gear, Hardened, Module 5.0, 12 Teeth

### Module 5 Tooth Width b = 50 mm

Product No.	Number of teeth	b mm	d <sub>a</sub> mm	d mm	NL mm	ND mm	BH7 mm	perm. MT* Nm	Weight kg
235 881 12	12	50	70	60	25	45	20	191	1,21
235 881 15	15	50	85	75	25	60	20	261	2,07
235 881 16	16	50	90	80	25	65	20	284	2,40
235 881 18	18	50	100	90	25	70	20	330	3,02
235 881 20	20	50	110	100	25	80	20	442	3,83
235 881 22	22	50	120	110	25	80	20	597	4,48
235 881 24	24	50	130	120	25	90	20	766	5,44
235 881 25	25	50	135	125	25	90	20	861	5,82
235 881 30	30	50	160	150	25	110	25	1380	8,44
235 881 32	32	50	170	160	25	110	25	1634	9,30
235 881 36	36	50	190	180	25	120	25	2225	11,70

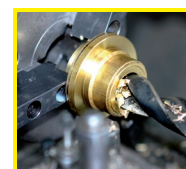
### Module 6 Tooth Width b = 60 mm

Product No.	Number of teeth	b mm	d <sub>a</sub> mm	d mm	NL mm	ND mm	BH7 mm	perm. MT* Nm	Weight kg
236 881 12	12	60	84	72	20	54	20	363	1,82
236 881 15	15	60	102	90	20	70	20	531	3,01
236 881 16	16	60	108	95	20	75	20	551	3,46
236 881 18	18	60	120	108	20	80	20	663	4,33
236 881 20	20	60	132	120	20	90	20	914	5,43
236 881 22	22	60	144	132	20	100	25	1181	7,23
236 881 24	24	60	156	144	20	110	25	1485	7,88
236 881 25	25	60	162	150	20	110	25	1650	8,42
236 881 30	30	60	192	180	20	120	25	2666	13,20
236 881 36	36	60	228	216	20	130	25	4237	18,68

### Module 8 Tooth Width b = 80 mm

Product No.	Number of teeth	b mm	d <sub>a</sub> mm	d mm	NL mm	ND mm	BH7 mm	perm. MT* Nm	Weight kg
238 881 12	12	80	112	96	40	70	25	910	5,64
238 881 15	15	80	136	120	40	90	25	1400	8,62
238 881 16	16	80	144	128	40	95	25	1560	9,82
238 881 18	18	80	160	144	40	100	25	1880	12,20
238 881 20	20	80	176	160	40	120	30	2490	15,47
238 881 24	24	80	208	192	40	150	30	3970	23,00
238 881 25	25	80	216	200	40	150	30	4400	24,55
238 881 30	30	80	256	240	40	190	30	6960	36,55
238 881 36	36	80	304	288	40	200	40	11000	49,46

\* Basis of calculations see page 197.



**Reworking within  
24h-service possible.  
Custom made parts  
on request.**