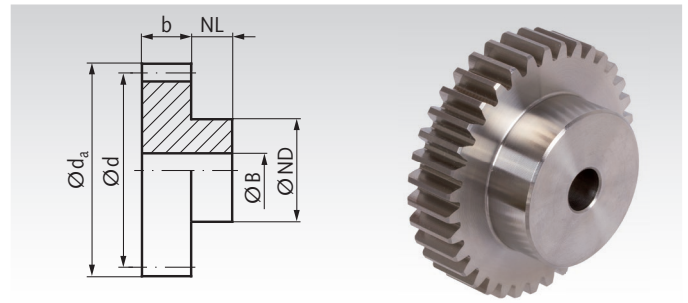


## Spur Gears Made from Stainless Steel with One-Sided Hub, Milled Teeth, Straight Tooth System

Material: Stainless steel 1.4305 (AISI 303).

Tooth quality 8d25 DIN 3967.

Pressure angle 20°.



Ordering Details: e.g.: Product No. 231 990 10, Spur Gear, Stainless Steel, Module 2, 10 Teeth

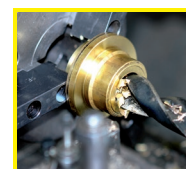
### Module 2 Tooth Width b = 16 mm

| Product No. | Number of teeth | b mm | d <sub>a</sub> mm | d mm | NL mm | ND mm | BH7 mm | perm. MT* Nm | Weight g |
|-------------|-----------------|------|-------------------|------|-------|-------|--------|--------------|----------|
| 231 990 10  | 10              | 16   | 24                | 20   | 15    | 15    | 8      | 0,8          | 45       |
| 231 990 11  | 11              | 16   | 26                | 22   | 15    | 18    | 10     | 0,9          | 55       |
| 231 990 12  | 12              | 16   | 28                | 24   | 15    | 20    | 10     | 1,1          | 70       |
| 231 990 14  | 14              | 16   | 32                | 28   | 15    | 25    | 10     | 1,4          | 110      |
| 231 990 15  | 15              | 16   | 34                | 30   | 15    | 25    | 12     | 1,5          | 114      |
| 231 990 16  | 16              | 16   | 36                | 32   | 15    | 25    | 12     | 1,6          | 126      |
| 231 990 18  | 18              | 16   | 40                | 36   | 15    | 30    | 12     | 1,9          | 179      |
| 231 990 20  | 20              | 16   | 44                | 40   | 15    | 30    | 12     | 2,5          | 207      |
| 231 990 22  | 22              | 16   | 48                | 44   | 15    | 30    | 12     | 3,0          | 240      |
| 231 990 24  | 24              | 16   | 52                | 48   | 15    | 30    | 12     | 3,8          | 275      |
| 231 990 25  | 25              | 16   | 54                | 50   | 15    | 30    | 12     | 4,2          | 295      |
| 231 990 28  | 28              | 16   | 60                | 56   | 15    | 35    | 12     | 5,5          | 389      |
| 231 990 30  | 30              | 16   | 64                | 60   | 15    | 40    | 12     | 6,4          | 466      |
| 231 990 35  | 35              | 16   | 74                | 70   | 15    | 45    | 12     | 9,2          | 632      |
| 231 990 40  | 40              | 16   | 84                | 80   | 15    | 50    | 12     | 12,5         | 825      |
| 231 990 45  | 45              | 16   | 94                | 90   | 15    | 50    | 12     | 16,4         | 911      |
| 231 990 48  | 48              | 16   | 100               | 96   | 15    | 50    | 12     | 19,0         | 1098     |
| 231 990 50  | 50              | 16   | 104               | 100  | 15    | 50    | 12     | 20,9         | 1174     |
| 231 990 55  | 55              | 16   | 114               | 110  | 15    | 60    | 12     | 26,0         | 1485     |
| 231 990 60  | 60              | 16   | 124               | 120  | 15    | 70    | 12     | 31,9         | 1827     |
| 231 990 80  | 80              | 16   | 164               | 160  | 20    | 80    | 20     | 57,4         | 3196     |

### Module 2.5 Tooth Width b = 20 mm

| Product No. | Number of teeth | b mm | d <sub>a</sub> mm | d mm  | NL mm | ND mm | BH7 mm | perm. MT* Nm | Weight g |
|-------------|-----------------|------|-------------------|-------|-------|-------|--------|--------------|----------|
| 232 990 12  | 12              | 20   | 35                | 30    | 15    | 20    | 12     | 2,3          | 110      |
| 232 990 14  | 14              | 20   | 40                | 35    | 15    | 20    | 12     | 2,9          | 140      |
| 232 990 15  | 15              | 20   | 42,5              | 37,5  | 15    | 25    | 12     | 3,2          | 190      |
| 232 990 16  | 16              | 20   | 45                | 40    | 15    | 25    | 12     | 3,4          | 210      |
| 232 990 18  | 18              | 20   | 50                | 45    | 15    | 30    | 12     | 4,0          | 290      |
| 232 990 20  | 20              | 20   | 55                | 50    | 15    | 30    | 12     | 5,2          | 340      |
| 232 990 24  | 24              | 20   | 65                | 60    | 15    | 40    | 12     | 7,9          | 540      |
| 232 990 25  | 25              | 20   | 67,5              | 62,5  | 15    | 40    | 12     | 8,7          | 580      |
| 232 990 28  | 28              | 20   | 75                | 70    | 15    | 40    | 12     | 11,4         | 700      |
| 232 990 30  | 30              | 20   | 80                | 75    | 15    | 40    | 12     | 13,4         | 790      |
| 232 990 32  | 32              | 20   | 85                | 80    | 15    | 50    | 15     | 15,5         | 950      |
| 232 990 35  | 35              | 20   | 92,5              | 87,5  | 15    | 50    | 15     | 19,1         | 1100     |
| 232 990 40  | 40              | 20   | 105               | 100   | 20    | 60    | 15     | 26,0         | 1600     |
| 232 990 45  | 45              | 20   | 117,5             | 112,5 | 20    | 60    | 15     | 34,3         | 1920     |
| 232 990 48  | 48              | 20   | 125               | 120   | 20    | 60    | 15     | 39,8         | 2140     |
| 232 990 50  | 50              | 20   | 130               | 125   | 20    | 70    | 15     | 43,8         | 2430     |
| 232 990 55  | 55              | 20   | 142,5             | 137,5 | 20    | 70    | 20     | 55,2         | 2780     |
| 232 990 60  | 60              | 20   | 155               | 150   | 20    | 70    | 20     | 72,0         | 3240     |

\* Basis of calculations see page 197.



Reworking within  
24h-service possible.  
Custom made parts  
on request.