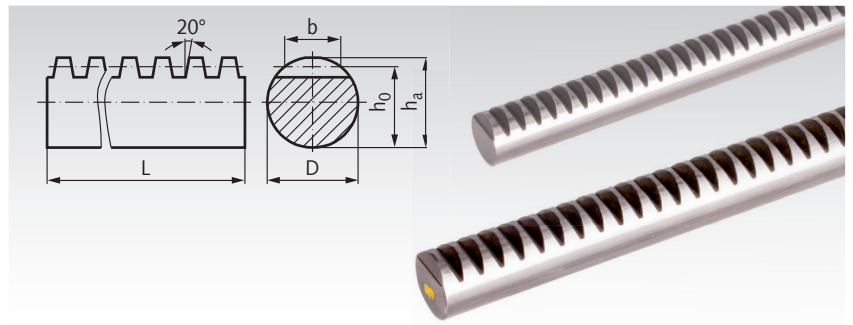


Round Gear Racks Made From Steel

Tooth quality 8d25 modelled on DIN 3967.
Pressure angle 20°.
The teeth on the gear racks are manufactured using an overhead milling cutter. This leads to negative tolerances.

Dim. h_a and h_0 : to module 2 -0.2 mm
module 2.5 - 4 -0.3 mm
module 5 - 6 -0.4 mm



Ordering Details: e.g.: Product No. 224 631 00,
Round gear rack St., module 1, D 10 x 500 mm

Round Gear Racks Made From Steel, Milled Teeth, Straight Tooth System, Precisely Straightened

On choice: High Strength Steel!		Product No. Standard	Product No. High Strength	Nom. length L mm	h_0 mm	h_a mm	b mm	Weight kg
Material standard: St50K	Module 1.0 D = 10 mm	224 631 00	224 666 31**	500	9,0	10,0	6,0	0,28
		224 632 00	224 666 32**	1000	9,0	10,0	6,0	0,56
Material High Strength:	Module 1.0 D = 15 mm	225 631 00	225 666 31	500	14,0	15,0	7,5	0,66
		225 632 00	225 666 32	1000	14,0	15,0	7,5	1,35
Special steel with strength 1,000N/mm ²	Module 1.5 D = 15 mm	228 631 00	228 666 31	500	13,5	15,0	9,0	0,64
		228 632 00	228 666 32	1000	13,5	15,0	9,0	1,28
Diameter tolerance h_6 ground.	Module 1.5 D = 17 mm	229 631 00	-	500	15,5	17,0	9,6	0,84
		229 632 00	-	1000	15,5	17,0	9,6	1,70
Prod. No. 224 666 31 and 224 666 32 Ø tolerance h_9 .	Module 2.0 D = 20 mm	241 631 00	241 666 31	500	18,0	20,0	12,0	1,14
		241 632 00	241 666 32	1000	18,0	20,0	12,0	2,28
		241 634 00*	241 666 34	2000	18,0	20,0	12,0	4,52
Tooth flanks not ground.	Module 2.5 D = 25 mm	242 631 00	242 666 31	500	22,5	25,0	15,0	1,78
		242 632 00	242 666 32	1000	22,5	25,0	15,0	3,56
		242 634 00*	242 666 34	2000	22,5	25,0	15,0	7,20
Other dimensions, also from drawing, can be supplied at short notice.	Module 3.0 D = 30 mm	243 631 00	243 666 31	500	27,0	30,0	18,0	2,59
		243 632 00	243 666 32	1000	27,0	30,0	18,0	5,14
		243 634 00*	243 666 34	2000	27,0	30,0	18,0	10,28
	Module 4.0 D = 40 mm	244 631 00	244 666 31	500	36,0	40,0	24,0	4,56
		244 632 00	244 666 32	1000	36,0	40,0	24,0	9,12
		244 634 00*	244 666 34	2000	36,0	40,0	24,0	18,24
	Module 5.0 D = 50 mm	245 631 00	245 666 31	500	45,0	50,0	30,0	7,10
		245 632 00	245 666 32	1000	45,0	50,0	30,0	14,20
		245 634 00*	245 666 34	2000	45,0	50,0	30,0	28,40
	Module 6.0 D = 60 mm	246 631 00	246 666 31	500	54,0	60,0	36,0	10,28
		246 632 00	246 666 32	1000	54,0	60,0	36,0	20,56
		246 634 00*	246 666 34	2000	54,0	60,0	36,0	41,12

* Material: C45K. ** Ø tolerance h_9 .

Racks length 250 mm from C45 (up to module 5) at www.maedler.de

Round Gear Racks Made From Stainless Steel, Milled Teeth, Straight Tooth System, Precisely Straightened

Material:
Stainless steel
1.4305 (AISI 303).
Diameter tolerance
 h_9 drawn.



	Product No. Standard	Nom. length L mm	h_0 mm	h_a mm	b mm	Weight kg
Module 1.0 D = 10 mm	224 996 31	500	9,0	10,0	6,0	0,28
	224 996 32	1000	9,0	10,0	6,0	0,56
Module 1.5 D = 15 mm	228 996 31	500	13,5	15,0	9,0	0,64
	228 996 32	1000	13,5	15,0	9,0	1,28
Module 2.0 D = 20 mm	241 996 31	500	18,0	20,0	12,0	1,14
	241 996 32	1000	18,0	20,0	12,0	2,28
	241 996 34	2000	18,0	20,0	12,0	4,56
Module 2.5 D = 25 mm	242 996 31	500	22,5	25,0	15,0	1,78
	242 996 32	1000	22,5	25,0	15,0	3,56
	242 996 34	2000	22,5	25,0	15,0	7,12
Module 3.0 D = 30 mm	243 996 31	500	27,0	30,0	18,0	2,59
	243 996 32	1000	27,0	30,0	18,0	5,14
	243 996 34	2000	27,5	30,0	18,0	10,28
Module 4.0 D = 40 mm	244 996 31	500	36,0	40,0	24,0	4,56
	244 996 32	1000	36,0	40,0	24,0	9,12
	244 996 34	2000	36,0	40,0	24,0	18,24