

Bevel Gears Made from Steel, Spiral Tooth System, Ratio 1.214:1 to 1.615:1

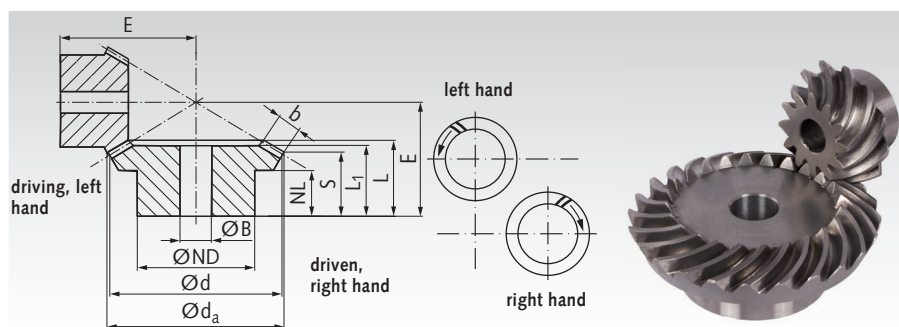
Material up to module 1.5: 42CrMo4, teeth induction hardened.

Material from module 2.0: 16MnCr5, teeth case hardened.

Hubs and bores soft.

Tooth quality 8 modelled on DIN 3967.

Sold in pairs only.



Ordering Details: e.g.:

Product No. 385 740 00 = 1 Pair of Bevel Gears
Ratio 1.214:1 Mod. 1.5 14/17 Teeth

Ratio 1.214:1

Product No.	Module	Number of teeth	d _a mm	d mm	ND mm	NL mm	L ₁ mm	L mm	S mm	b mm	BH7 mm	E mm	Torque* Nm	Weight g/Pair
385 740 00	1,5	14	41,0	38,7	22	11	21,1	24,2	15,4	11,5	12	38,0	14,1	236
		17	48,9	47,0	30	11	20,9	23,9	16,6	11,5	15	34,8	17,1	

Ratio 1.385:1

Product No.	Module	Number of teeth	d _a mm	d mm	ND mm	NL mm	L ₁ mm	L mm	S mm	b mm	BH7 mm	E mm	Torque* Nm	Weight g/Pair
385 744 00	1,5	13	36,7	33,9	22	11	21,6	24,0	15,9	10	12	38,5	11,3	216
		18	48,5	47,0	30	11	20,9	24,9	19,1	10	15	34,8	15,7	

Ratio 1.5:1

Product No.	Module	Number of teeth	d _a mm	d mm	ND mm	NL mm	L ₁ mm	L mm	S ¹⁾ mm	b mm	BH7 mm	E mm	Torque* Nm	Weight g/Pair
385 354 00	0,6	22	20,8	19,8	17	7	13	14,3	8,5	7	6	23	2,2	116
		33	30,3	29,7	20	8	14	15,5	11,6	7	8	21	3,3	
385 552 00	1	20	31,6	30	25	8	17	18,3	10,0	10	8	32	8,1	166
		30	46,3	45	30	8	17	19,5	14,0	10	10	28	12,2	
385 648 00	1,3	16	34,3	32	25	8	18	19,9	10,7	11	8	34	11,9	220
		24	49,4	48	30	8	18	21,1	15,0	11	10	30	17,9	
385 748 00	1,5	16	37,8	35,8	30	8	17	18,8	10,5	10	10	36	14,3	273
		24	54,4	52,8	35	8	17	21,1	15,6	10	10	32	21,5	
386 049 00**	2	16	53,0	50	35	6	18	21,37	12,8	11	10	48,45	41,0	561
		24	76,0	75	39	15	24	27,53	21,7	11	16	45	61,5	
386 148 00**	2,5	16	68,2	64	40	14	25	31,7	18,4	16	16	65	84	1300
		24	98,8	96	54	14	23	28,9	20,1	16	20	50	126	
386 449 00**	3	16	79,0	76	50	15	28	35,71	21,9	19	20	75	160	1682
		24	115,0	114	64	18	28	34,69	24,8	19	25	60	240	

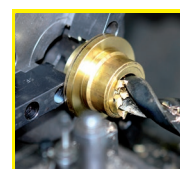
Ratio 1.615:1

Product No.	Module	Number of teeth	d _a mm	d mm	ND mm	NL mm	L ₁ mm	L mm	S mm	b mm	BH7 mm	E mm	Torque* Nm	Weight g/Pair
385 550 00	1	13	20,3	18,6	16	8,2	12	13,9	9,6	5	8	24	2,4	45
		21	31,1	30,0	20	6	10,5	12,0	9,3	5	10	18	3,9	

¹⁾ Theoretical dimensions, from module 2, tips of teeth levelled.

* Basis for calculations see page 274.

** Gears with ground hub contact surfaces and bores.



**Reworking within
24h-service possible.
Custom made parts
on request.**