

## Precision Worm Gear Sets - Right Hand (Worm Gears and Hollow Worms)

Pressure angle 15°.

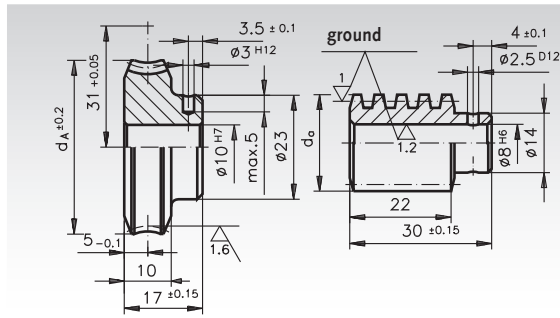
### Material:

Worm gear: special brass  
CuZn37Mn3Al2PbSi/So. Worm:  
11SMnPb37 (1.0715), inspected for  
fissures, case hardened HV620-700,  
ground. Can be built into gear systems, no  
reworking required, thus short assembly  
times.

Ordering Details: e.g.:

Product No. 321 002 00, Prec. Worm Gear A 31

Product No. 321 102 00, Prec. Worm A 31

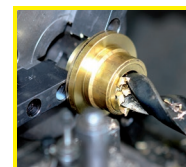


### Centre Distance in Casing 31 mm + 0.05

Product No. Worm Gear	Product No. Worm	Trans- mission	Module	No. of Teeth	No. of Threads	Lead Angle	Worm Gear $d_A \pm 0.2$ mm	Worm $d_a$ mm	Maximum Torque at 2800min <sup>-1</sup> Nm	** $\eta$	Weight Worm Gear g	Weight Worm g
321 002 00	321 102 00	*2,5 : 1	1,25	25	10	45° 15'	46,9	20,10	4,4	0,82	132	39
321 005 00	321 105 00	5 : 1	1,3	30	6	23° 46'	46,5	21,95	9,5	0,78	150	52
321 007 00	321 107 00	7 : 1	1,5	28	4	20° 32'	48,8	20,10	9,7	0,75	128	47
321 008 00	321 108 00	8,33 : 1	1,75	25	3	19° 49'	51,0	19,00	10	0,74	150	29
321 010 00	321 110 00	10 : 1	1,4	30	3	12° 50'	47,0	21,70	9,5	0,68	130	44
321 012 00	321 112 00	12 : 1	1,25	36	3	13° 55'	50,0	18,10	12,1	0,69	150	40
321 015 00	321 115 00	15 : 1	1,5	30	2	10° 40'	50,0	19,20	10,7	0,64	145	32
321 018 00	321 118 00	18 : 1	1,25	36	2	8° 44'	48,8	18,96	10,3	0,59	145	33
321 020 00	321 120 00	20 : 1	0,75	60	3	7° 49'	48,0	18,04	8,3	0,57	145	34
321 022 00	321 122 00	22 : 1	1,0	44	2	6° 29'	48,0	19,70	9,6	0,53	138	39
321 023 00	321 123 00	23 : 1	2,0	23	1	7° 29'	52,0	19,35	10,5	0,56	148	28
321 024 00	321 124 00	24 : 1	1,75	24	1	5° 4'	47,0	23,30	9,2	0,48	125	49
321 025 00	321 125 00	25 : 1	1,75	25	1	5° 35'	48,5	21,50	9,6	0,49	132	40
321 028 00	321 128 00	28 : 1	1,5	28	1	4° 20'	46,5	22,85	9,1	0,44	125	49
321 030 00	321 130 00	30 : 1	1,5	30	1	5° 7'	48,8	19,80	10,3	0,47	142	54
321 038 00	321 138 00	38 : 1	1,25	38	1	5° 1'	51,2	16,80	11,4	0,46	158	24
321 045 00	321 145 00	45 : 1	1,0	45	1	3° 23'	48,0	18,93	9,5	0,37	142	36
321 050 00	321 150 00	50 : 1	0,9	50	1	3° 3'	48,0	18,70	9	0,35	143	35
321 055 00	321 155 00	55 : 1	0,9	55	1	4° 12'	52,0	14,10	10,4	0,40	172	17
321 060 00	321 160 00	60 : 1	0,75	60	1	2° 33'	48,0	18,40	8,2	0,31	144	35
321 070 00	321 170 00	70 : 1	0,7	70	1	3° 7'	52,0	14,30	9	0,34	170	19
321 075 00	321 175 00	75 : 1	0,6	75	1	2° 2'	47,0	18,10	7,3	0,26	143	35
321 090 00	321 190 00	90 : 1	0,5	90	1	1° 41'	48,0	18,00	6,4	0,23	143	35
321 100 00	321 200 00	100 : 1	0,5	100	1	2° 24'	52,7	12,96	7,4	0,28	175	16

\* Worm only polished - worm gear with helical gearing.

\*\* The figures stated for the efficiency are only reference values, since - besides the lead angle - mounting, lubrication, speed and assembly also have an influence on the efficiency.



**Reworking within  
24h-service possible.  
Custom made parts  
on request.**