

## Precision Worm Gear Sets, Right Hand (Worm Gears and Hollow Worms)

Pressure angle 15°.

### Material:

Worm Gear: special brass

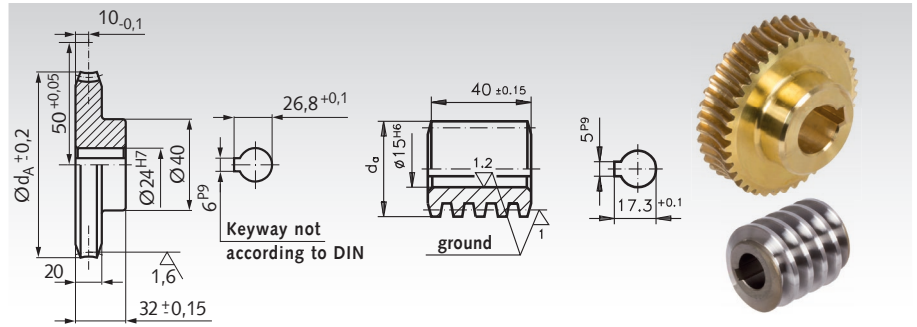
CuZn37Mn3Al2PbSi/So.

Worm: 11SMnPb37 (1.0715), inspected for fissures, case hardened HV620-700, ground. Can be built into gear systems, no reworking required, thus short assembly times.

Ordering Details: e.g.:

Product No. 330 004 00, Prec. Worm Gear A 50.

Product No. 323 104 00, Prec. Worm A 50.



### Centre distance in Housing 50 mm + 0,05

Product No. Worm Gear	Product No. Worm	Transmission	Module	No. of Teeth	No. of Threads	Lead Angle	Worm Gear $d_A \pm 0,2$ mm	Worm $d_a$ mm	Maximum Torque at 2800min <sup>-1</sup> Nm	* $\eta$	Weight Worm Gear g	Weight Worm g
330 004 00	323 104 00	4,25 : 1	3,5	17	4	25° 51'	77	39,10	34	0,80	580	200
330 006 00	323 106 00	6 : 1	3,5	18	3	19° 17'	77	38,80	52	0,77	580	180
330 008 00	323 109 00	8,66 : 1	2,5	26	3	13° 52'	77	36,29	64	0,72	600	176
330 012 00	323 113 00	12 : 1	2,75	24	2	10° 23'	77	36,00	66	0,66	620	156
330 014 00	323 115 00	13,5 : 1	2,5	27	2	9° 38'	77	34,90	63	0,65	630	160
330 019 00	323 121 00	19 : 1	3,5	19	1	6° 17'	77	39,00	78	0,55	590	190
330 023 00	323 125 00	23 : 1	3,0	23	1	5° 38'	77	36,58	71	0,52	600	170
330 027 00	323 130 00	27 : 1	2,5	27	1	4° 40'	77	35,73	65	0,48	620	170
330 035 00	323 138 00	35 : 1	2,0	35	1	3° 51'	77	33,78	57	0,43	630	150
330 046 00	323 150 00	46 : 1	1,5	46	1	2° 47'	74	33,85	51	0,36	620	170
330 055 00	323 160 00	55 : 1	1,25	55	1	2° 19'	74	33,40	46	0,31	620	170
330 069 00	323 175 00	69 : 1	1,0	69	1	1° 51'	74	32,90	41	0,27	620	170

## Precision Worm Gear Sets, Right Hand (Worm Gears and Hollow Worms)

Pressure angle 15°.

### Material:

Worm Gear: special brass

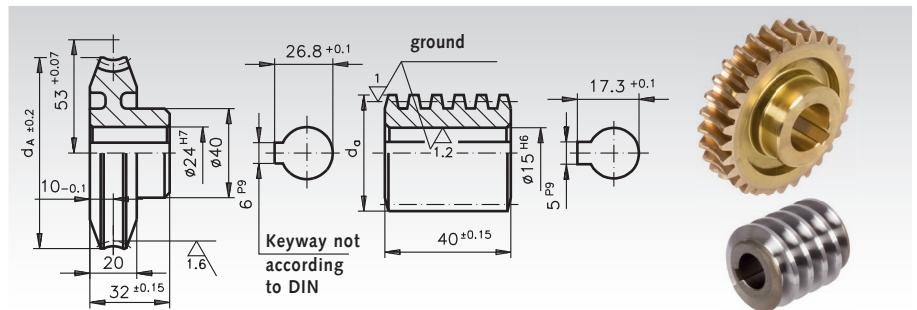
CuZn37Mn3Al2PbSi/So.

Worm: 11SMnPb37 (1.0715), inspected for fissures, case hardened HV620-700, ground. Can be built into gear systems, no reworking required, thus short assembly times.

Ordering Details: e.g.:

Product No. 323 004 00, Prec. Worm Gear A 53.

Product No. 323 104 00, Prec. Worm A 53.



### Centre distance in Housing 53 mm + 0,07

Product No. Worm Gear	Product No. Worm	Transmission	Module	No. of Teeth	No. of Threads	Lead Angle	Worm Gear $d_A \pm 0,2$ mm	Worm $d_a$ mm	Maximum Torque at 2800min <sup>-1</sup> Nm	* $\eta$	Weight Worm Gear g	Weight Worm g
323 004 00	323 104 00	4,75 : 1	3,5	19	4	25° 51'	83,0	39,10	45	0,80	590	200
323 006 00	323 106 00	6,67 : 1	3,5	20	3	19° 17'	84,0	38,80	67	0,77	600	180
323 009 00	323 109 00	9,67 : 1	2,5	29	3	13° 52'	82,0	36,29	77	0,72	620	176
323 013 00	323 113 00	13,5 : 1	2,75	27	2	10° 23'	84,0	36,00	80	0,66	630	156
323 015 00	323 115 00	15 : 1	2,5	30	2	9° 38'	83,0	34,90	75	0,65	650	160
323 021 00	323 121 00	21 : 1	3,5	21	1	6° 17'	83,0	39,00	94	0,55	600	190
323 025 00	323 125 00	25 : 1	3,0	25	1	5° 38'	84,0	36,58	84	0,52	630	170
323 028 00	323 128 00	28 : 1	2,5	28	1	3° 59'	77,5	41,00	87	0,44	500	250
323 030 00	323 130 00	30 : 1	2,5	30	1	4° 40'	83,0	35,73	77	0,48	640	170
323 038 00	323 138 00	38 : 1	2,0	38	1	3° 51'	83,0	33,78	68	0,43	660	150
323 050 00	323 150 00	50 : 1	1,5	50	1	2° 47'	81,0	33,85	60	0,36	640	170
323 060 00	323 160 00	60 : 1	1,25	60	1	2° 19'	80,0	33,40	55	0,31	650	170
323 075 00	323 175 00	75 : 1	1,0	75	1	1° 51'	78,0	32,90	49	0,27	640	170

\* The figures stated for the efficiency are only reference values, as besides the lead angle, mounting, lubrication, speed and assembly also have an influence on the efficiency.