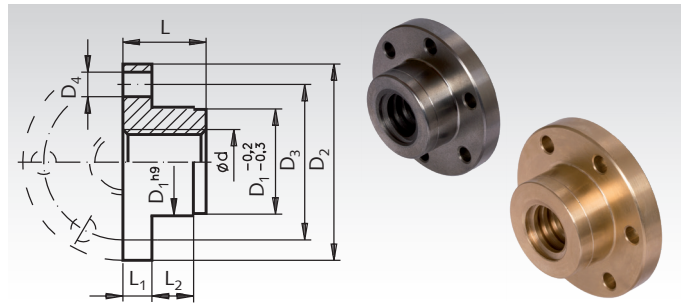


## Ready-to-Install Flange Nuts with Metric ISO-Trapezoidal Thread DIN 103, Single-Thread

Material: Grey cast iron GG25.  
Red brass Rg7 (CuSn7Zn4Pb7-C).  
Tolerance zone 7H.



Ordering Details: e.g.: Product No. 644 770 16, flange nut made from GG25,  
Tr. 16 x 4, single thread, right hand

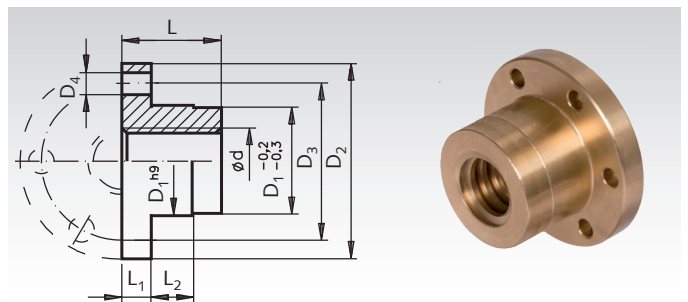
### Single thread, right h.    Single thread, left hand

Product No. Grey Cast right hand	Product No. Red Brass right hand	Product No. Grey Cast left hand	Product No. Red Brass left hand	Tr. Thread Ød mm	DIN ISO 2768 m						Weight		
					D <sub>1</sub> mm	D <sub>2</sub> mm	D <sub>3</sub> mm	6 x D <sub>4</sub> mm	L mm	L <sub>1</sub> mm	L <sub>2</sub> mm	Grey Cast kg	Brass kg
644 770 16	644 771 16	644 773 16	644 774 16	16 x 4	26	48	38	6	20	7	10	0,12	0,13
-	644 771 18	-	644 774 18	18 x 4	30	58	45	7	22	8	12	-	0,22
644 770 20	644 771 20	644 773 20	644 774 20	20 x 4	30	58	45	7	22	8	12	0,17	0,20
644 770 24	644 771 24	644 773 24	644 774 24	24 x 5	40	72	58	7	28	10	12	0,36	0,42
-	644 771 28	-	644 774 28	28 x 5	45	78	65	7	35	10	15	-	0,59
644 770 30	644 771 30	644 773 30	644 774 30	30 x 6	50	82	68	7	44	12	15	0,85	0,95
644 770 36	644 771 36	644 773 36	644 774 36	36 x 6	55	110	85	7	55	15	15	1,45	1,60
644 770 40	644 771 40	644 773 40	644 774 40	40 x 7	60	130	95	9	60	15	20	2,00	2,18
644 770 50	644 771 50	644 773 50	644 774 50	50 x 8	80	160	120	11	65	15	20	3,25	3,68
644 770 60	644 771 60	644 773 60	644 774 60	60 x 9	80	160	120	11	65	15	20	2,95	3,26
-	644 771 70	-	644 774 70	70 x 10	95	160	130	12,5	75	22	20	-	4,85

Comparison of friction coefficients see page 445.

## Ready-to-Install Flange Nuts EFM with Metric ISO-Trapezoidal Thread DIN 103, Single-Thread

Material: Red brass Rg7 (CuSn7Zn4Pb7-C).  
Tolerance zone 7H.



Ordering Details: e.g.: Product No. 644 775 12, flange nut EFM,  
Tr. 12 x 3, single thread, right hand

### Single thread right hand    left hand

Product No. Red Brass right hand	Product No. Red Brass left hand	Tr. Thread Ød mm	D <sub>1</sub> mm	DIN ISO 2768 m						Weight kg
				D <sub>2</sub> mm	D <sub>3</sub> mm	6 x D <sub>4</sub> mm	L mm	L <sub>1</sub> mm	L <sub>2</sub> mm	
644 775 12	644 776 12	12 x 3	28	48	38	6	28	12	8	0,24
644 775 14	644 776 14	14 x 4*	28	48	38	6	35	12	8	0,28
644 775 16	644 776 16	16 x 4	28	48	38	6	44	12	8	0,28
644 775 18	644 776 18	18 x 4	28	48	38	6	44	12	8	0,26
644 775 20	644 776 20	20 x 4	32	55	45	7	44	12	8	0,35
644 775 24	644 776 24	24 x 5	32	55	45	7	44	12	8	0,30
644 775 28	644 776 28	28 x 5	38	62	50	7	46	14	8	0,42
644 775 30	644 776 30	30 x 6	38	62	50	7	46	14	8	0,42
644 775 32	644 776 32	32 x 6	38	62	50	7	46	14	8	0,38
644 775 36	644 776 36	36 x 6	45	70	58	7	59	16	10	0,64
644 775 40	644 776 40	40 x 7	63	95	78	9	73	16	10	1,82
644 775 44	644 776 44	44 x 7	63	95	78	9	73	16	10	1,82
644 775 48	644 776 48	48 x 8	72	110	90	11	97	18	10	2,80
644 775 50	644 776 50	50 x 8	72	110	90	11	97	18	10	2,80
644 775 52	644 776 52	52 x 8	72	110	90	11	97	18	10	2,80
644 775 60	644 776 60	60 x 9	85	125	105	11	99	20	10	3,85
644 775 70	644 776 70	70 x 10	95	180	140	17	100	30	16	7,80

\* Lead angle is not in accordance with DIN 103.

\*\* For hexagon socket screws M16 DIN EN ISO 4762 (ex DIN 912).

Comparison of friction coefficients see page 445.