

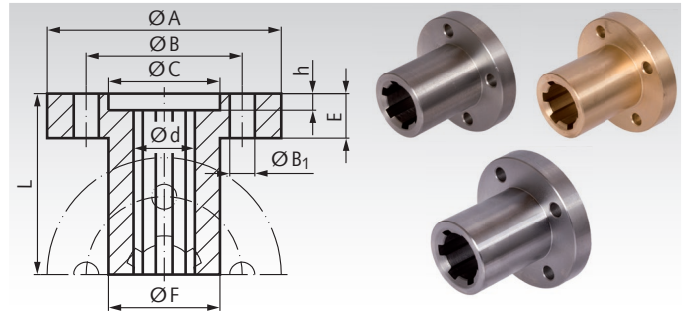
## Splined Hubs with Flange - DIN ISO 14

**Material:** Steel C45Pb, from diameter 70 C45.  
Red brass Rg7 (CuSn7Zn4Pb7-C).  
Stainless steel 1.4305 (AISI 303).



© F/d and C/d = 0.05 mm.

Ready-to-install, with 4 mounting holes.



Ordering Details: e.g.: Product No. 648 502 00, Hub DIN 14 KN 11 x 14 with Flange

Product No. C45	Product No. Rg7	Product No. Stainless Steel	Profile Description mm	DIN ISO 2768 m Ø A mm	DIN ISO 2768 m Ø B mm	DIN74m Ø B <sub>1</sub> mm	DIN ISO 2768 m Ø CH <sup>7</sup> mm	DIN ISO 2768 m Ø Fh <sup>8</sup> mm	DIN ISO 2768 m Ø dH <sup>7</sup> mm	DIN ISO 2768 m E mm	DIN ISO 2768 m h mm	DIN ISO 2768 m L mm	Weight Steel kg	Weight Rg7 kg
648 502 00	648 552 00	648 995 02	KN 11 x 14	42	28	4,5	20	20	11	8	3	35	0,10	0,12
648 504 00	648 554 00	648 995 04	KN 13 x 16	50	36	4,5	22	25	13	8	3	40	0,18	0,22
648 505 00	648 555 00	648 995 05	KN 16 x 20	52	38	5,5	25	28	16	10	3	40	0,22	0,26
648 501 00	648 551 00	648 995 01	KN 18 x 22	54	40	5,5	30	30	18	10	3,5	45	0,26	0,30
648 506 00	648 556 00	648 995 06	KN 21 x 25	62	48	6,6	35	34	21	10	3,5	50	0,34	0,38
648 503 00	648 553 00	648 995 03	KN 23 x 28	64	50	6,6	36	36	23	10	3,5	55	0,41	0,47
648 507 00	648 557 00	648 995 07	KN 26 x 32	70	56	6,6	40	42	26	10	3,5	60	0,50	0,58
648 509 00	648 559 00	648 995 09	KN 28 x 34	78	60	9,0	46	45	28	12	3,5	60	0,64	0,74
648 508 00	648 558 00	648 995 08	KN 32 x 38	82	65	9,0	50	50	32	12	3,5	60	0,72	0,84
648 512 00	648 562 00	648 995 12	KN 36 x 42	90	70	9,0	52	52	36	16	4	80	0,94	1,07
648 510 00	648 560 00	648 995 10	KN 42 x 48	95	75	11,0	60	60	42	16	4	80	1,22	1,38
648 514 00	648 564 00	648 995 14	KN 46 x 54	100	80	11,0	65	65	46	16	4	100	1,50	1,70

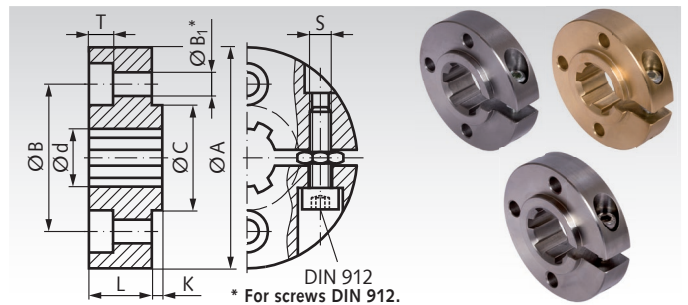
## Clamp Collars for Splined Hubs - DIN ISO 14

**Material:** Steel C45Pb, from Ø 70 C45.  
Red brass (CuSn7Zn4Pb7-C).  
Stainless steel 1.4305 (AISI 303).



© C/d = 0.05 mm.

Ready-to-install, with 4 mounting holes, match with spline hubs with flange.



Ordering Details: e.g.: Product No. 648 602 00, Clamp Collar DIN 14 KN 11 x 14

Product No. C45	Product No. Rg7	Product No. Stainless Steel	Profile Description mm	DIN ISO 2768 m Ø A mm	DIN ISO 2768 m Ø B mm	DIN74m Ø B <sub>1</sub> mm	1) Ø Ch <sup>8</sup> * mm	1) Ø dH <sup>7</sup> * mm	DIN ISO 2768 m L mm	DIN ISO 2768 m K mm	DIN ISO 2768 m T mm	DIN ISO 2768 m S mm	Weight Steel kg	Weight Rg7 kg
648 602 00	648 652 00	648 996 02	KN 11 x 14	42	28	4,5	20	11	12	2	4,6	M4	0,10	0,12
648 604 00	648 654 00	648 996 04	KN 13 x 16	50	36	4,5	22	13	12	2	4,6	M4	0,16	0,18
648 605 00	648 655 00	648 996 05	KN 16 x 20	52	38	5,5	25	16	14	2	5,7	M5	0,18	0,20
648 601 00	648 651 00	648 996 01	KN 18 x 22	54	40	5,5	30	18	14	3	5,7	M5	0,20	0,23
648 606 00	648 656 00	648 996 06	KN 21 x 25	62	48	6,6	35	21	14	3	6,8	M5	0,24	0,28
648 603 00	648 653 00	648 996 03	KN 23 x 28	64	50	6,6	36	23	15	3	6,8	M6	0,26	0,30
648 607 00	648 657 00	648 996 07	KN 26 x 32	70	56	6,6	40	26	15	3	6,8	M6	0,34	0,40
648 609 00	648 659 00	648 996 09	KN 28 x 34	78	60	9,0	46	28	18	3	9,0	M8	0,47	0,54
648 608 00	648 658 00	648 996 08	KN 32 x 38	82	65	9,0	50	32	18	3	9,0	M8	0,52	0,62
648 612 00	648 662 00	648 996 12	KN 36 x 42	90	70	9,0	52	36	18	3	9,0	M8	0,62	0,72
648 610 00	648 660 00	648 996 10	KN 42 x 48	95	75	11,0	60	42	22	3	11,0	M8	0,82	0,94
648 614 00	648 664 00	648 996 14	KN 46 x 54	100	80	11,0	65	46	24	3	11,0	M8	0,96	1,08

<sup>1)</sup> Manufacturing tolerance before making the clamp slot.



Bearing Units page 414