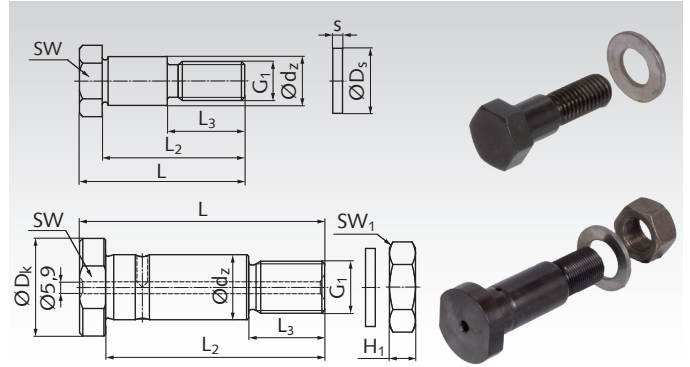


Centric Bolts LFZ for Profil Track Rollers

Material: Heat-treated steel, black oxide finish.

- Centric bolt for mounting profil track rollers on fixed position.
- Normally, a carriage has four rollers: On one side two rollers with centric bolts on fixed position. On the other side two rollers on eccentric bolts, so that they can get adjusted clearance-free.
- The assignment of the bolt to the profil track roller is made by the linear shaft diameter d_w and the bolt diameter d_z .
- Included in scope of delivery, there is a distance washer for release mount of the track roller, for turn without binding (from LFZ8).



Ordering Details: e.g.: Product No. 647 803 01, Centric Bolt LFZ5

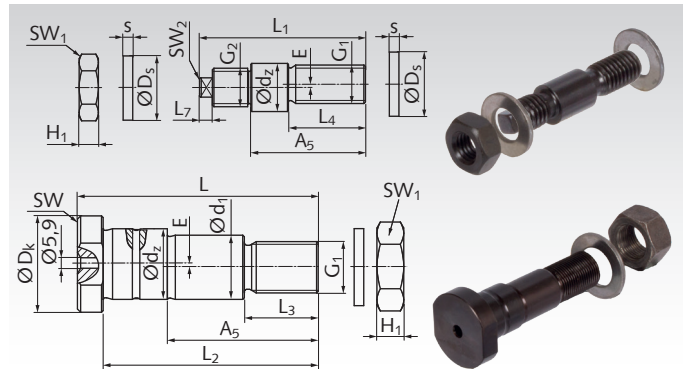
Product No.	Type	d_w mm	d_z mm	L mm	L_2 mm	L_3 mm	D_K mm	G_1 mm	H_1 mm	S mm	D_S mm	SW mm	SW_1 mm	Weight g
647 803 01	LFZ5	4/6	5	19,5	16	9,5	10	M4	-	-	-	3*	-	6
647 803 03	LFZ8	6	8	28,3	24,3	15	-	M8	-	1	14	12	-	14
647 803 04	LFZ12	10	12	43	36	22	-	M10	-	1,8	21	17	-	34
647 803 05	LFZ12/M12	10	12	50,8	43,8	24	-	M12	-	1,8	19	17	-	50
647 803 06	LFZ15	10	15	50,8	43,8	26	-	M12	-	1,8	21	19	-	60
647 803 07	LFZ12x45A1	12	12	50	45	16	20	M10x1,5	8	2	21	17	17	40
647 803 08	LFZ20x67A1	16	20	75	67	23	30	M16x1,5	13	3	30	27	24	200
647 803 09	LFZ25x82A1	20/25	25	92	82	30	40	M20x1,5	16	3	37	36	30	400
647 803 11	LFZ30x95A1	30	30	107	95	32	45	M24x1,5	19	4	44	41	36	620
647 803 12	LFZ40x107A1	40	40	117	107	42	55	M30x1,5	24	4	56	46	46	1100

* Allen screw.

Eccentric Bolts LFE for Profil Track Rollers

Material: Heat-treated steel, black oxide finish.

- Eccentric bolt for mounting profil track rollers on adjustable position, to install the rollers clearance-free.
- Normally, a carriage has four rollers: On one side two rollers with centric bolts on fixed position. On the other side two rollers on eccentric bolts, so that they can get adjusted clearance-free.
- The assignment of the bolt to the profil track roller is made by the linear shaft diameter d_w and the bolt diameter d_z .
- Included in scope of delivery, there is a distance washer for release mount of the track roller, for turn without binding (from LFZ8).



Ordering Details: e.g.: Product No. 647 804 01, Eccentric Bolt LFE5

Product No.	Type	d_w mm	d_z mm	L mm	L_1 mm	L_2 mm	L_3 mm	L_4 mm	L_7 mm	A_5 mm	d_1 mm	D_K mm	G_1 mm	G_2 mm	H_1 mm	S mm	D_S mm	E mm	SW mm	SW_1 mm	SW_2 mm	Weight g
647 804 01	LFE5	4/6	5	-	20,5	-	-	9	-	15	-	-	M4	M4	2,9	-	-	0,5	-	7	2	6
647 804 03	LFE8	6	8	-	33,2	-	-	13,7	3,5	22	-	-	M8	M8x0,75	4	1	14	1	-	13	5	14
647 804 04	LFE12	10	12	-	50	-	-	19,5	5	33,5	-	-	M10	M10	8,4	1,8	21	1	-	17	6	34
647 804 05	LFE12/M12	10	12	-	57	-	-	24	5	41	-	-	M12	M12	6,5	1,8	19	1	-	17	6	50
647 804 06	LFE15	10	15	-	57	-	-	24	5	41	-	-	M12	M12	6,5	1,8	21	1	-	19	6	60
647 804 07	LFE12x45A1	12	12	50	-	45	16	-	-	30	10	20	M10x1,5	-	8	2	21	0,75	17	17	-	40
647 804 08	LFE20x67A1	16	20	75	-	67	23	-	-	45	17	30	M16x1,5	-	13	3	30	1	27	24	-	200
647 804 09	LFE25x82A1	20/25	25	92	-	82	30	-	-	57	22	40	M20x1,5	-	16	3	37	1	36	30	-	400
647 804 11	LFE30x95A1	30	30	107	-	95	32	-	-	67	27	45	M24x1,5	-	19	4	44	1	41	36	-	620
647 804 12	LFE40x107A1	40	40	117	-	107	42	-	-	72	36	55	M30x1,5	-	24	4	56	1	46	46	-	1100