

Travel-Wheel Systems RB/I

Material: Housing made from spheroidal graphite cast iron, painted gray. Travel wheel made from GG 70, with high-quality roller bearing.

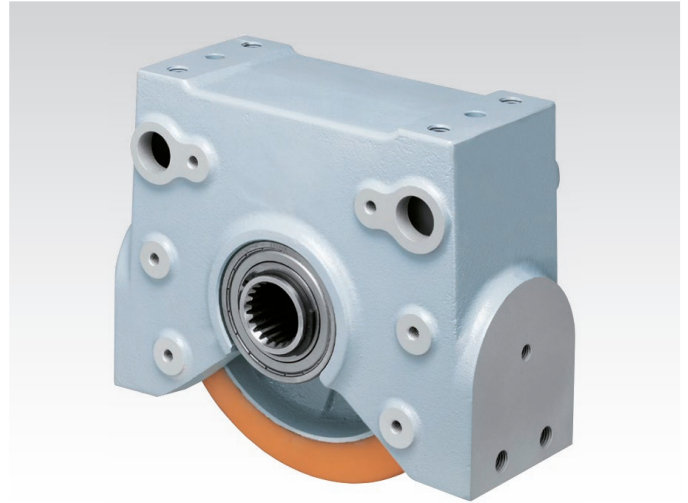
Version G: With cast iron travel wheel with two flanges, with high load capacity, to be used on rails.

Version K: With cast iron travel wheel with PUR-bandage (Polyurethane-Elastomer), for higher traction at low operating noise.

A very robust, universal, maintenance-free travel wheel system available in two sizes. It is designed for various travel applications with wheel loads up to 3.5 t and travel speeds up to 240 m/min (depending on version and load). The five connection surfaces are machined and provide for a multitude of connection variants. 4 screws for inverted mounting are supplied. The housing is painted gray (RAL 7001) and can be repainted.

The travel-wheel systems can be combined with the geared motors RBM/I to form a compact drive unit.

Temperature range: -20°C to +60°C.



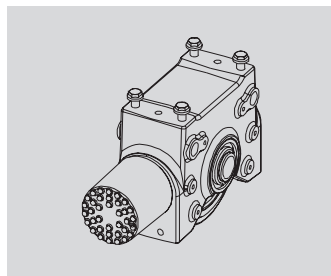
Ordering Details: e.g.: Product No., Type, Size, Version

Product No.	Size	Version	Load Bearing Capacity		Weight kg	Matching Accessories		
			up to 100 m/min kg	R* at Speed 240 m/min kg		Product No. Buffer Set	Product No. Pin Connection	Product No. Roller Guide
480 201 84	200	G (cast iron, flanged)	2500	1900	15,3	480 710 84	480 221 84	480 210 44
480 200 84	200	K (with bandage)	1200	700	15,1	480 710 84	480 221 84	480 210 84
480 301 84	250	G (cast iron, flanged)	3500	2500	27,6	480 710 84	480 321 84	480 510 44
480 300 84	250	K (with bandage)	1700	900	26,7	480 710 84	480 321 84	480 310 84

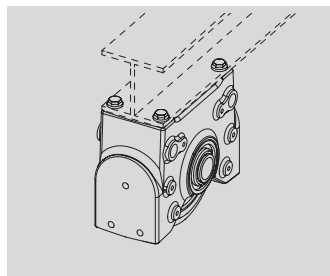
* With Hydropur tyres and stand-still times of more than two hours under load, the load bearing capacity only comes to 50% of the maximum value.

Dimensions Table Travel-Wheel Systems RB/I

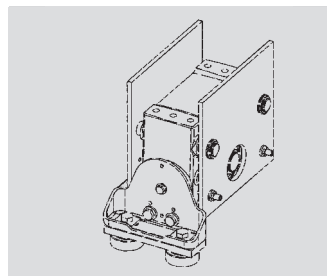
System Size	$d_{3,6/6/H7}$ mm	d_4^{F8} mm	d_5 mm	d_6^{H13} mm	h_A mm	h_F mm	Travel Wheel		h_2 mm	h_3 mm	h_4 mm	l_1 mm	l_2/l_3 mm	w_1 mm	w_2 mm	w_3 mm
							System	Travel Wheel Version								
200	N35x2x16	21	M12	10,2	204,5	217	87,5	G	72	77	12,5	250	175	138	126	80
250	N45x2x21	30	M16	14	255	270	110	K	90	97	-10	306	220	156	138	85



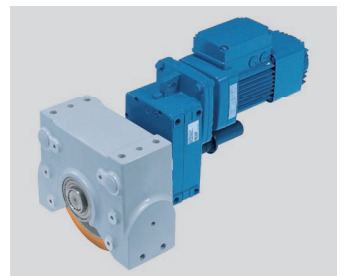
Travel wheel system with buffer set.



Travel wheel system, Inverted Mounting (screws supplied).



Mounting with bolt set, for horizontal guide-roller arrangement.



Powered travel wheel block with geared motor RBM/I.

Accessories for Travel-Wheel Systems RB/I

Buffer Set

Material: Polyurethane cellular foam, spacers made from plastic, black.

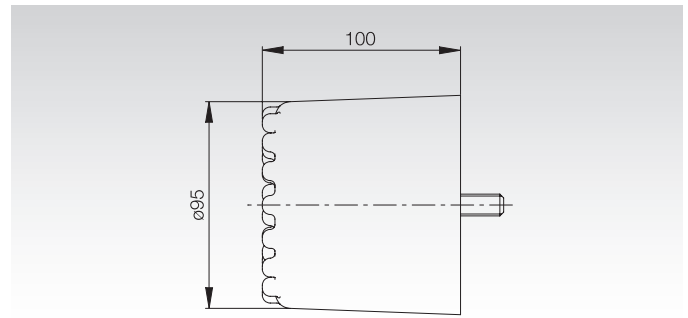
Consisting of: one buffer, threaded pin M12 x 55 mm, two spacers 12.5 mm (for mounting without guide roller) and one spacer 25 mm (for mounting with guide roller, using the supplied nuts M12).

The required thread has already been machined on both face ends of the travel-wheel system. The screw-on buffer fits both travel-wheel-system sizes 200 and 250.

Temperature range: -20°C to +60°C.

Weight: 0.8 kg

Product No. 480 710 84, Buffer Set, Matching Travel-Wheel System Size 200 and 250



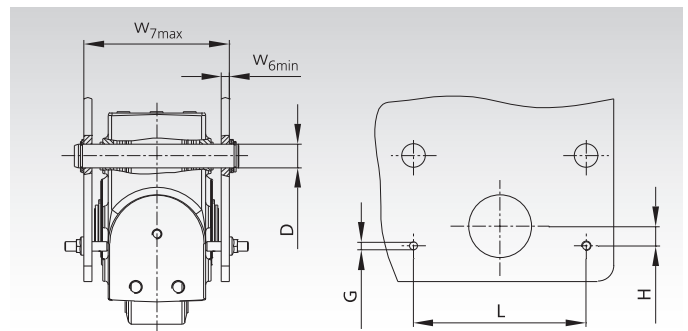
Pin Connection Sets

Material: Steel

Consisting of: two pins, washers and retaining rings, threaded adjusting pins and nuts for lateral alignment and fixation.

Two sizes for **travel-wheel system size** 200 or 250. The pin connection set is used to mount the **travel-wheel system** into an existing hollow section when mounted from the side. One set required for each **travel-wheel system**.

Ordering Details:e.g.: Product No., Type, Size



Product No. Pin Set	System Size	W _{6min} mm	W _{7max} mm	Dh8/D9 mm	G mm	L mm	H mm	Weight kg
480 221 84	200	8	158	21	M10	175	20	1,1
480 321 84	250	10	185	30	M12	220	25	2,6

Horizontal Guide-Roller Arrangements

Material: Base: steel plate, zinc plated.

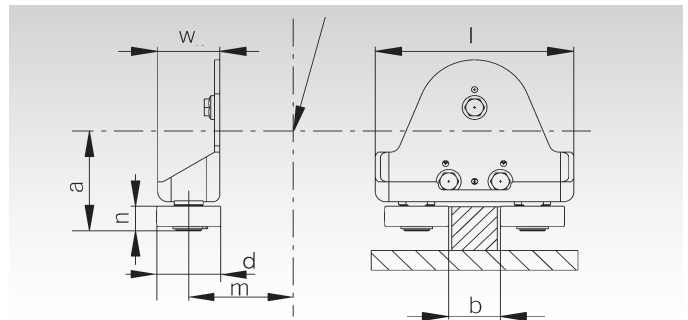
Damping elements: Polyamide (damping elements only for **travel-wheel system** with Hydropur-tyre travel wheel)

Version G: for **travel-wheel system** with cast wheel. Without damping element.

Version K: for **travel-wheel system** with Hydropur tyre. With damping element.

Consisting of: roller bracket, bearing, damping element and mounting bolts (damping element only for version K).

Two sizes for **travel-wheel system size** 200 or 250. The horizontal guide-roller arrangement is used for low-friction guidance and to precisely achieve individual track gauge dimensions. The guide roller is e.g. recommended for flanged wheels (version G) running on narrow tracks. The guide rollers are only used on one of the rails.



Product No. Guide Roller	Travel-Wheel System Size	Version	d mm	l mm	m mm	a mm	w mm	n mm	b mm	Weight kg
480 210 44	200	G	62	192	155	110	60	25	30-70	2,3
480 210 84	200	K	52	192	155	124	60	25	62-82	2,4
480 510 44	250	G	72	230	189	137	72	29	30-80	3,6
480 310 84	250	K	72	230	189	154	72	29	64-84	3,7