

Accessories for Travel-Wheel Systems RB/I

Buffer Set

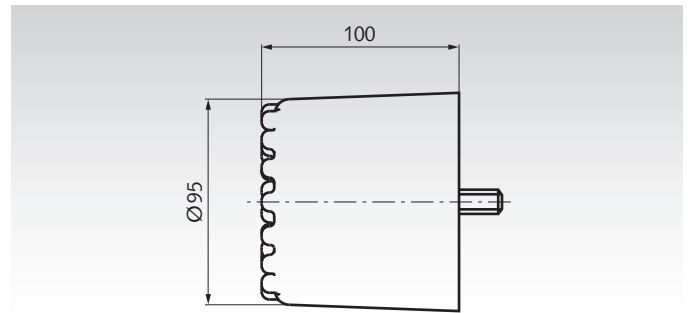
Material: Polyurethane cellular foam, spacers made from plastic, black.

Consisting of: one buffer, threaded pin M12 x 55 mm, two spacers 12.5 mm (for mounting without guide roller) and one spacer 25 mm (for mounting with guide roller, using the supplied nuts M12).

The required thread has already been machined on both face ends of the travel-wheel system. The screw-on buffer fits both travel-wheel-system sizes 200 and 250.

Temperature range: -20°C to +60°C.

Weight: 0.8 kg



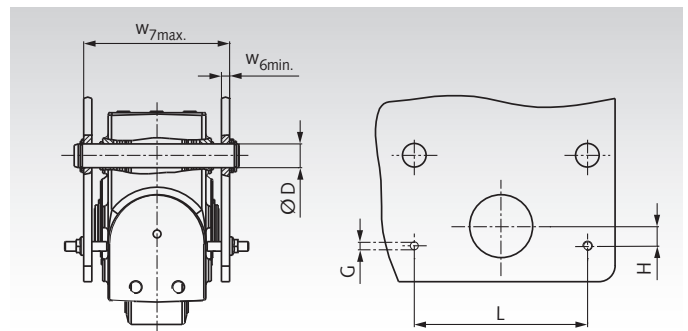
Product No. 480 710 84, Buffer Set, Matching Travel-Wheel System Size 200 and 250

Pin Connection Sets

Material: Steel

Consisting of: two pins, washers and retaining rings, threaded adjusting pins and nuts for lateral alignment and fixation.

Two sizes for **travel-wheel system size** 200 or 250. The pin connection set is used to mount the **travel-wheel system** into an existing hollow section when mounted from the side. One set required for each **travel-wheel system**.



Ordering Details:e.g.: Product No., Type, Size

Product No. Pin Set	System Size	W _{6min} mm	W _{7max} mm	Dh8/D9 mm	G mm	L mm	H mm	Weight kg
480 221 84	200	8	158	21	M10	175	20	1,1
480 321 84	250	10	185	30	M12	220	25	2,6

Horizontal Guide-Roller Arrangements

Material: Base: steel plate, zinc-plated.

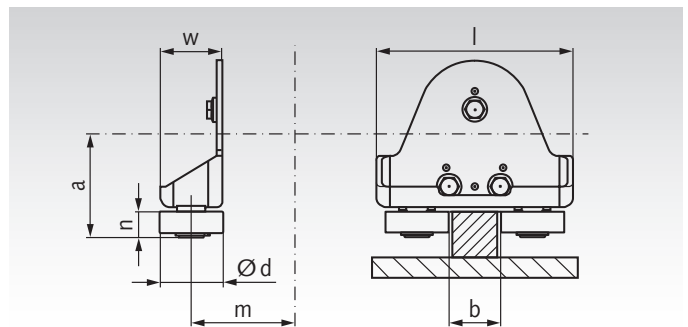
Damping elements: Polyamide (damping elements only for **travel-wheel system** with Hydropur-tyre travel wheel)

Version G: for **travel-wheel system** with cast wheel. Without damping element.

Version K: for **travel-wheel system** with Hydropur tyre. With damping element.

Consisting of: roller bracket, bearing, damping element and mounting bolts (damping element only for version K).

Two sizes for **travel-wheel system size** 200 or 250. The horizontal guide-roller arrangement is used for low-friction guidance and to precisely achieve individual track gauge dimensions. The guide roller is e.g. recommended for flanged wheels (version G) running on narrow tracks. The guide rollers are only used on one of the rails.



Product No. Guide Roller	Travel-Wheel System Size	Version	d mm	l mm	m mm	a mm	w mm	n mm	b mm	Weight kg
480 210 44	200	G	62	192	155	110	60	25	30-70	2,3
480 210 84	200	K	52	192	155	124	60	25	62-82	2,4
480 510 44	250	G	72	230	189	137	72	29	30-80	3,6
480 310 84	250	K	72	230	189	154	72	29	64-84	3,7