

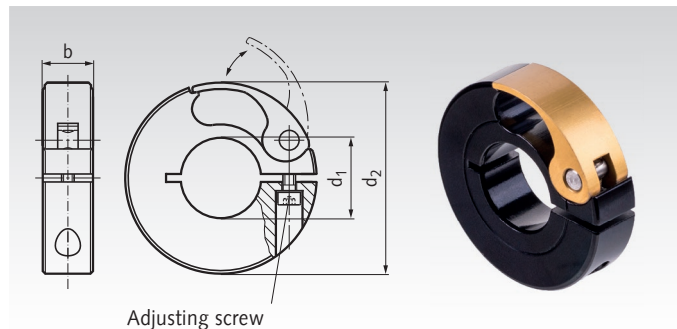
Quick Release Shaft Collars

Material: Aluminium, black anodized.
Eccentric lever gold-colored anodized.
Screw and axis stainless steel.



Features: With eccentric lever.
Easy to mount and quickly to readjust.
Does not damage the shaft.
Even distribution of clamping force.

The lever force and clamping force can be set exactly by the adjusting screw with allen. The pivot point and the lever must always be well lubricated.



Ordering Details: e.g.: Product No. 623 662 06, Quick Release Clamp Collar, 6 mm

Product No. Aluminium	d ₁ mm	d ₂ mm	b mm	Tighting Torque ¹⁾ Nm	F _{ax} ²⁾ N	Weight g
623 662 06	6	38	10	0,5	130	27
623 662 08	8	38	10	0,5	130	25
623 662 10	10	38	10	0,5	150	25
623 662 12	12	38	10	0,5	160	25
623 662 14	14	38	10	0,5	180	24
623 662 15	15	38	10	0,5	220	22
623 662 16	16	38	10	0,5	260	23
623 662 20	20	50	13	0,7	310	54
623 662 25	25	50	13	0,7	400	49
623 662 28	28	50	13	0,7	430	43
623 662 30	30	50	13	0,7	450	41
623 662 32	32	75	15	1,5	460	125
623 662 35	35	75	15	1,5	480	119
623 662 38	38	75	15	1,5	530	113
623 662 40	40	100	19	2,6	560	290
623 662 42	42	100	19	2,6	600	280
623 662 45	45	100	19	2,6	650	270
623 662 48	48	100	19	2,6	750	260
623 662 50	50	100	19	2,6	860	255

¹⁾ Recommendation for the adjusting screw.

²⁾ Max. axial force (depending on the set of the adjusting screw and the shaft quality).

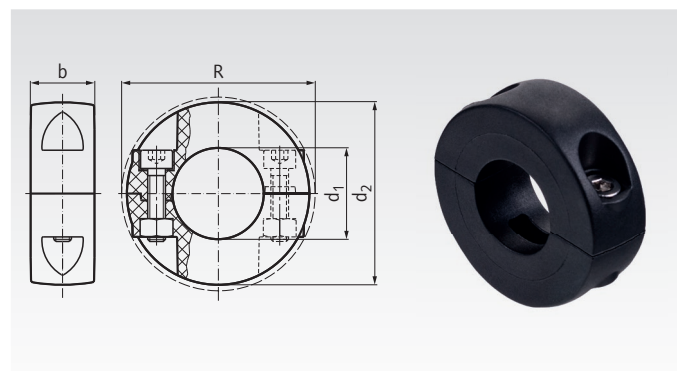
Shaft Collars, Clamp Collars Double-Split, Polyamide

Material: Technopolymer (Polyamide PA),
glas fibre reinforced, black-grey, mat.
Screws and nuts stainless steel 1.4404 (AISI 316 L).



Features: Strong version with metal nuts.
Easy to mount and quickly to adjust.
Does not damage the shaft.
Even distribution of clamping force.
Low mass inertia.
Suitable for use in corrosive atmospheres.

Temperature range: up to +80°C.



Ordering Details: e.g.: Product No. 623 550 12, Clamp Collar PA, 12mm

Product No. Polyamide	d ₁ mm	d ₂ mm	R mm	b mm	Screws DIN 912	Tighting Torque Nm	Weight g
623 550 12	12	35	37,0	13	M4	2	17
623 550 14	14	35	37,0	13	M4	2	16
623 550 16	16	35	37,0	13	M4	2	15
623 550 18	18	40	41,5	14	M4	2	20
623 550 20	20	40	41,5	14	M4	2	19
623 550 22	22	50	54,8	14	M5	3	33
623 550 25	25	50	54,8	14	M5	3	31
623 550 30	30	50	54,8	14	M5	3	29
623 550 35	35	65	65,4	14	M5	3	44
623 550 40	40	65	65,4	14	M5	3	39