

## Shaft Collars, Clamp Collars Single-Split

**Material:** Steel C45, black oxide finish, or zinc-plated, Screw steel 12.9.  
Stainless steel 1.4305 (AISI 303), Screw stainless steel A2-70.  
Aluminium or aluminium anodized, screw stainless steel A2-70.

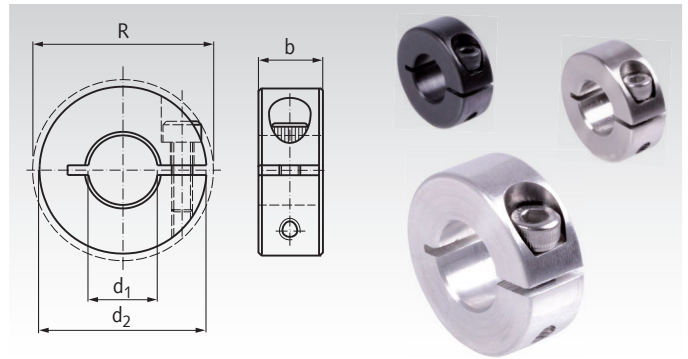


**Features:** does not damage the shaft, stronger clamping force than with set collars, even distribution of clamping forces, easy readjustment, precision honed bores. The threads of the screws DIN 912 are covered with a layer of polyamide.

Tolerance b: +0.08 mm  
-0.25 mm

Temperature range: -40°C to +175°C.

Ordering Details: e.g.: Product No. 623 103 00, Clamp Collar, 3 mm Bore



Product No. Steel black	Product No. Steel zinc-plated	Product No. Stainless Steel	Product No. Aluminium	Product No. Alu anodized	d <sub>1</sub> mm	d <sub>2</sub> mm	R <sub>max.</sub> mm	b mm	Screw DIN912	Weight Steel g	Weight Aluminium g
623 103 00	623 881 03	623 991 03	623 661 03	623 671 03	3	16	20,7	9	M3 x 8	11	4
623 104 00	623 881 04	623 991 04	623 661 04	623 671 04	4	16	20,7	9	M3 x 8	11	4
623 105 00	623 881 05	623 991 05	623 661 05	623 671 05	5	16	20,7	9	M3 x 8	10	4
623 106 00	623 881 06	623 991 06	623 661 06	623 671 06	6	16	20,7	9	M3 x 8	10	4
623 107 00	623 881 07	623 991 07	623 661 07	623 671 07	7	18	22,4	9	M3 x 8	13	5
623 108 00	623 881 08	623 991 08	623 661 08	623 671 08	8	18	22,4	9	M3 x 8	12	5
623 109 00	623 881 09	623 991 09	623 661 09	623 671 09	9	24	26,0	9	M3 x 8	23	8
623 110 00	623 881 10	623 991 10	623 661 10	623 671 10	10	24	26,0	9	M3 x 8	22	8
623 111 00	623 881 11	623 991 11	623 661 11	623 671 11	11	28	31,8	11	M4 x 12	39	14
623 112 00	623 881 12	623 991 12	623 661 12	623 671 12	12	28	31,8	11	M4 x 12	38	13
623 113 00	623 881 13	623 991 13	623 661 13	623 671 13	13	30	33,9	11	M4 x 12	43	15
623 114 00	623 881 14	623 991 14	623 661 14	623 671 14	14	30	33,9	11	M4 x 12	42	15
623 115 00	623 881 15	623 991 15	623 661 15	623 671 15	15	34	39,4	13	M5 x 14	65	23
623 116 00	623 881 16	623 991 16	623 661 16	623 671 16	16	34	39,4	13	M5 x 14	63	22
623 117 00	623 881 17	623 991 17	623 661 17	623 671 17	17	36	41,2	13	M5 x 14	72	25
623 118 00	623 881 18	623 991 18	623 661 18	623 671 18	18	36	41,2	13	M5 x 14	69	24
623 119 00	623 881 19	623 991 19	623 661 19	623 671 19	19	40	46,4	15	M6 x 16	100	35
623 120 00	623 881 20	623 991 20	623 661 20	623 671 20	20	40	46,4	15	M6 x 16	97	34
623 121 00	623 881 21	623 991 21	623 661 21	623 671 21	21	42	48,1	15	M6 x 16	107	37
623 122 00	623 881 22	623 991 22	623 661 22	623 671 22	22	42	48,1	15	M6 x 16	103	36
623 123 00	623 881 23	623 991 23	623 661 23	623 671 23	23	45	50,8	15	M6 x 16	122	42
623 124 00	623 881 24	623 991 24	623 661 24	623 671 24	24	45	50,8	15	M6 x 16	117	40
623 125 00	623 881 25	623 991 25	623 661 25	623 671 25	25	45	50,8	15	M6 x 16	114	40
623 126 00	623 881 26	623 991 26	623 661 26	623 671 26	26	48	53,7	15	M6 x 18	133	46
623 128 00	623 881 28	623 991 28	623 661 28	623 671 28	28	48	53,7	15	M6 x 18	123	43
623 130 00	623 881 30	623 991 30	623 661 30	623 671 30	30	54	58,6	15	M6 x 18	163	56
623 132 00	623 881 32	623 991 32	623 661 32	623 671 32	32	54	58,6	15	M6 x 18	156	54
623 134 00	623 881 34	623 991 34	623 661 34	623 671 34	34	57	61,6	15	M6 x 18	174	60
623 135 00	623 881 35	623 991 35	623 661 35	623 671 35	35	57	61,6	15	M6 x 18	171	59
623 136 00	623 881 36	623 991 36	623 661 36	623 671 36	36	57	61,6	15	M6 x 18	163	56
623 138 00	623 881 38	623 991 38	623 661 38	623 671 38	38	60	65,0	15	M6 x 18	178	61
623 140 00	623 881 40	623 991 40	623 661 40	623 671 40	40	60	65,0	15	M6 x 18	163	56
623 142 00	623 881 42	623 991 42	623 661 42	623 671 42	42	73	79,4	19	M8 x 25	367	127
623 145 00	623 881 45	623 991 45	623 661 45	623 671 45	45	73	79,4	19	M8 x 25	344	119
623 148 00	623 881 48	623 991 48	623 661 48	623 671 48	48	78	84,2	19	M8 x 25	392	135
623 150 00	623 881 50	623 991 50	623 661 50	623 671 50	50	78	84,2	19	M8 x 25	370	128
623 155 00	623 881 55	623 991 55	-	-	55	82	88,8	19	M8 x 25	380	-
623 160 00	623 881 60	623 991 60	-	-	60	88	94,0	19	M8 x 25	425	-
623 165 00	623 881 65	623 991 65	-	-	65	93	99,8	19	M8 x 25	450	-
623 170 00	623 881 70	623 991 70	-	-	70	98	104,5	19	M8 x 25	480	-
623 175 00	623 881 75	623 991 75	-	-	75	103	109,1	19	M8 x 25	510	-
623 180 00	623 881 80	623 991 80	-	-	80	108	113,8	19	M8 x 25	535	-
623 190 00	623 881 90	623 991 90	-	-	90	130	138,1	32	M12 x 30	1730	-
623 200 00	623 882 00	623 992 00	-	-	100	140	147,6	32	M12 x 30	1890	-