

Shaft Collars, Clamp Collars, Single-Split - Type B1 and B2

Material: Steel C45, black oxide finish, screws steel 12.9.
Stainless steel 1.4305 (AISI 303), screws stainless steel A2-70.



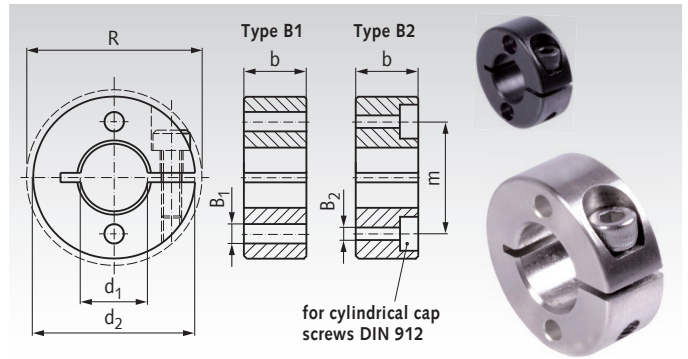
Type B1: With two axial mounting bores.

Type B2: With two axial mounting bores, with sunk holes for cylindrical cap screws DIN 912.

The thread of the screw DIN 912 is covered with a layer of polyamide.

Tolerance b: +0.08 mm
-0.25 mm

Temperature range: -40°C to +175°C.



for cylindrical cap screws DIN 912

Ordering Details: e.g.: Product No. 623 110 00B1 Clamp Collar B1, 10mm

Product No. Type B1 Steel black	Product No. Type B1 Stainless Steel	Product No. Type B2 Steel black	Product No. Type B2 Stainless Steel	d ₁ mm	d ₂ mm	R _{max.} mm	b mm	Screw DIN912	m mm	B1 mm	G ₁ * mm	B2 mm	G ₂ ** mm	Weight g
623 110 00B1	623 991 10B1	623 110 00B2	623 991 10B2	10	28	-	9	M3 x 10	19	3,5	M3	3,0	M2,5	32
623 112 00B1	623 991 12B1	623 112 00B2	623 991 12B2	12	30	31,8	11	M4 x 12	21	4,5	M4	3,5	M3	43
623 114 00B1	623 991 14B1	623 114 00B2	623 991 14B2	14	32	33,9	11	M4 x 14	23	4,5	M4	3,5	M3	48
623 115 00B1	623 991 15B1	623 115 00B2	623 991 15B2	15	36	39,4	13	M5 x 16	25,5	5,5	M5	4,5	M4	71
623 116 00B1	623 991 16B1	623 116 00B2	623 991 16B2	16	38	39,4	13	M5 x 16	27	5,5	M5	4,5	M4	81
623 118 00B1	623 991 18B1	623 118 00B2	623 991 18B2	18	40	41,2	13	M5 x 16	29	5,5	M5	4,5	M4	89
623 120 00B1	623 991 20B1	623 120 00B2	623 991 20B2	20	42	46,4	15	M6 x 16	31	5,5	M5	4,5	M4	107
623 122 00B1	623 991 22B1	623 122 00B2	623 991 22B2	22	46	48,1	15	M6 x 16	34	6,5	M6	5,5	M5	128
623 125 00B1	623 991 25B1	623 125 00B2	623 991 25B2	25	48	50,8	15	M6 x 16	36,5	6,5	M6	5,5	M5	132
623 128 00B1	623 991 28B1	623 128 00B2	623 991 28B2	28	54	-	15	M6 x 16	41	6,5	M6	5,5	M5	172
623 130 00B1	623 991 30B1	623 130 00B2	623 991 30B2	30	56	58,6	15	M6 x 18	43	6,5	M6	5,5	M5	176
623 132 00B1	623 991 32B1	623 132 00B2	623 991 32B2	32	58	58,6	15	M6 x 18	45	6,5	M6	5,5	M5	190
623 135 00B1	623 991 35B1	623 135 00B2	623 991 35B2	35	60	61,6	15	M6 x 18	47,5	6,5	M6	5,5	M5	196
623 138 00B1	623 991 38B1	623 138 00B2	623 991 38B2	38	66	-	15	M6 x 18	52	6,5	M6	5,5	M5	230
623 140 00B1	623 991 40B1	623 140 00B2	623 991 40B2	40	66	-	15	M6 x 18	53	6,5	M6	5,5	M5	225
623 145 00B1	623 991 45B1	623 145 00B2	623 991 45B2	45	76	79,4	19	M8 x 25	60,5	8,5	M8	6,5	M6	379
623 150 00B1	623 991 50B1	623 150 00B2	623 991 50B2	50	82	84,2	19	M8 x 25	66	8,5	M8	6,5	M6	428

* Fitting screw size for B1. ** Fitting screw size for B2.

Shaft Collars, Clamp Collars, Double-Split - Type B1 and B2

Material: Steel C45, black oxide finish, screws steel 12.9.
Stainless steel 1.4305 (AISI 303), screws stainless steel A2-70.



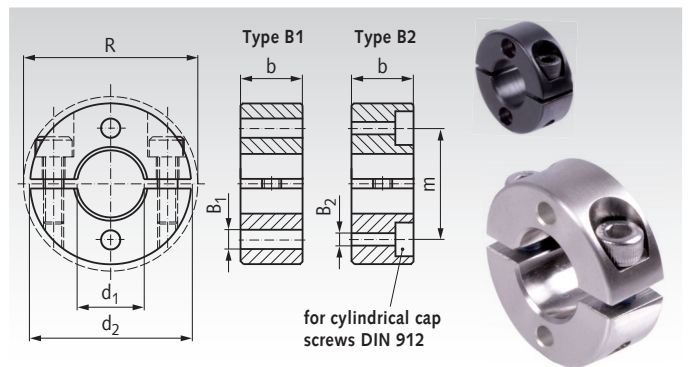
Type B1: With two axial mounting bores.

Type B2: With two axial mounting bores, with sunk holes for cylindrical screws DIN 912.

The threads of the screws DIN 912 are covered with a layer of polyamide.

Tolerance b: +0.08 mm
-0.25 mm

Temperature range: -40°C to +175°C.



for cylindrical cap screws DIN 912

Ordering Details: e.g.: Product No. 623 410 00B1, Clamp Collar B1, 10mm

Product No. Type B1 Steel black	Product No. Type B1 Stainless Steel	Product No. Type B2 Steel black	Product No. Type B2 Stainless Steel	d ₁ mm	d ₂ mm	R _{max.} mm	b mm	Screws DIN912	m mm	B1 mm	G ₁ * mm	B2 mm	G ₂ ** mm	Weight g
623 410 00B1	623 994 10B1	623 410 00B2	623 994 10B2	10	28	-	9	M3 x 10	19	3,5	M3	3,0	M2,5	34
623 412 00B1	623 994 12B1	623 412 00B2	623 994 12B2	12	30	31,8	11	M4 x 12	21	4,5	M4	3,5	M3	44
623 414 00B1	623 994 14B1	623 414 00B2	623 994 14B2	14	32	33,9	11	M4 x 14	23	4,5	M4	3,5	M3	49
623 415 00B1	623 994 15B1	623 415 00B2	623 994 15B2	15	36	39,4	13	M5 x 16	25,5	5,5	M5	4,5	M4	74
623 416 00B1	623 994 16B1	623 416 00B2	623 994 16B2	16	38	39,4	13	M5 x 16	27	5,5	M5	4,5	M4	83
623 418 00B1	623 994 18B1	623 418 00B2	623 994 18B2	18	40	41,2	13	M5 x 16	29	5,5	M5	4,5	M4	91
623 420 00B1	623 994 20B1	623 420 00B2	623 994 20B2	20	42	46,4	15	M6 x 16	31	5,5	M5	4,5	M4	111
623 422 00B1	623 994 22B1	623 422 00B2	623 994 22B2	22	46	48,1	15	M6 x 16	34	6,5	M6	5,5	M5	132
623 425 00B1	623 994 25B1	623 425 00B2	623 994 25B2	25	48	50,8	15	M6 x 16	36,5	6,5	M6	5,5	M5	138
623 428 00B1	623 994 28B1	623 428 00B2	623 994 28B2	28	54	-	15	M6 x 16	41	6,5	M6	5,5	M5	177
623 430 00B1	623 994 30B1	623 430 00B2	623 994 30B2	30	56	58,6	15	M6 x 18	43	6,5	M6	5,5	M5	184
623 432 00B1	623 994 32B1	623 432 00B2	623 994 32B2	32	58	58,6	15	M6 x 18	45	6,5	M6	5,5	M5	195
623 435 00B1	623 994 35B1	623 435 00B2	623 994 35B2	35	60	61,6	15	M6 x 18	47,5	6,5	M6	5,5	M5	197
623 438 00B1	623 994 38B1	623 438 00B2	623 994 38B2	38	66	-	15	M6 x 18	52	6,5	M6	5,5	M5	239
623 440 00B1	623 994 40B1	623 440 00B2	623 994 40B2	40	66	-	15	M6 x 18	53	6,5	M6	5,5	M5	234
623 445 00B1	623 994 45B1	623 445 00B2	623 994 45B2	45	76	79,4	19	M8 x 25	60,5	8,5	M8	6,5	M6	395
623 450 00B1	623 994 50B1	623 450 00B2	623 994 50B2	50	82	84,2	19	M8 x 25	66	8,5	M8	6,5	M6	444

* Fitting screw size for B1. ** Fitting screw size for B2.