

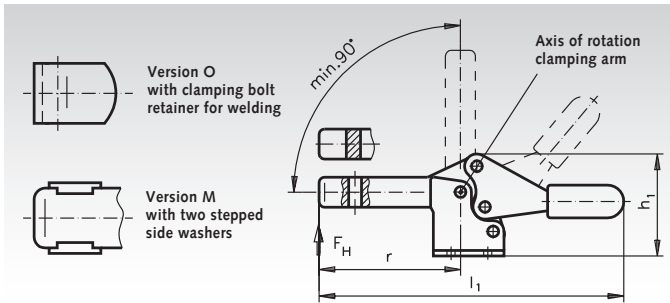
Quick Clamps (Horizontal Clamp with Horizontal Base, without Clamping Bolts)

Material: Steel-sheet parts: Case-hardened steel C10, zinc-plated. Bearing pins: hardened, from size 350 case hardened.

All moving parts lubricated with special grease.
Handle with plastic sleeve, red, oil resistant.

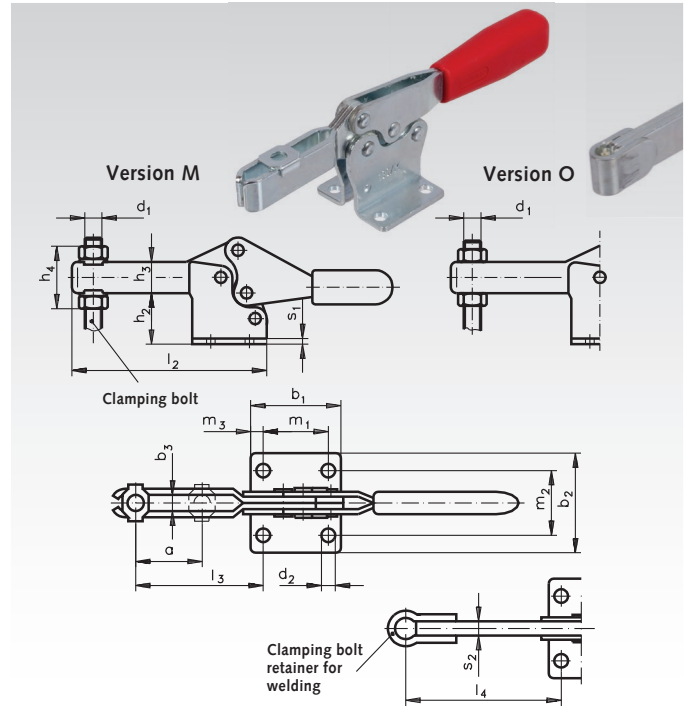
Low profile in the clamping position, designed to avoid the operator's fingers being caught between the retracting clamping arm and the operating handle (safety distance). During the closing movement it is guided on both sides to prevent it from being affected by possible side thrusts

Operating principle page 592.



Version M: forked clamping arm.

Version O: solid clamping arm.



Ordering Details: e.g.: Product No. 676 102 00, Horizontal Clamp, Version M, Size 25

Product No. Version M	Product No. Version O	Size	Holding Force		b ₁ mm	b ₂ mm	b ₃ mm	d ₁ ** mm	d ₂ mm	h ₁ mm	h ₂ mm	h ₃ mm	h ₄ mm	l ₁ mm	l ₂ mm	l ₃ mm	l ₄ mm	m ₁ mm	m ₂ mm	m ₃ mm	r mm	s ₁ mm	s ₂ mm	Weight g
			F _H N	a ² mm																				
676 102 00	-	25*	400	10	24	24,5	4,3	M4	4,3	23	12	7	15	68	43	20	-	15	16	4,5	24,5	1,2	-	25
676 103 00	676 143 00	75	900	20	28	26	5,5	M5	4,5	38	20	11	22,5	118	67	40	49,5	13,5	17	7,2	43	2	4	80
676 105 00	676 145 00	130	1000	32	36	40	6,5	M6	5,5	51	29	14	27	168	92	53	64	26	26	5	62	2,5	5	180
676 111 00	676 151 00	230	1700	37	44	42	8,5	M8	6,5	61,5	37	18	35	196	110	63,5	78	26	28,5	9	72	3	6	300
676 117 00	676 157 00	355	3200	58	60	56	10,4	M10	8,5	83	50	22	43	270	161	96	115	41	41	9,5	108,5	3,5	7	600
676 122 00	676 162 00	455	6200	65	70	65	12,4	M12	8,5	99	60	26	53	309	186	116	135	41,5	41,5	14,2	126	4	10	1400

* Size 25 only available in version M.

** Clamping bolts have to be ordered separately.

Clamping Bolts and Protective Caps for Quick Clamps

Material:

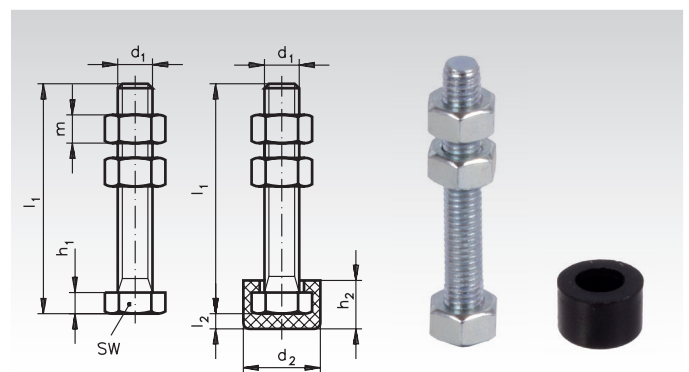
Hexagon Bolt: DIN 933, steel, strength class 8, zinc-plated.

Hexagon nuts: DIN 934/DIN 936, steel, zinc-plated.

Protective cap: Neoprene 85° Shore hardness, black.

Note: Protective cap has to be ordered separately.

The elastic protective cap can be easily slipped over the bolt head.



Ordering Details: e.g.: Product No. 676 000 04, Clamping Bolt M4

Product No. Screw	Product No. Protect. Cap	d ₁ mm	Length l ₁ mm	d ₂ mm	h ₁ mm	h ₂ mm	l ₂ mm	m mm	sw mm	Weight	
										Screw g	Cap g
676 000 04	676 000 44	M4	23	11	3	6,7	2,7	3,2	7	5	1
676 000 05	676 000 45	M5	38	12,6	3,5	8,2	2,7	4,7	8	9	1
676 000 06	676 000 46	M6	49	15	4	10,2	4,2	5,2	10	11	2
676 000 08	676 000 48	M8	56	19	5,5	13,3	5,8	6,8	13	24	4
676 000 10	676 000 50	M10	77	24,4	6,5	16,3	7,2	8,4	16	47	7
676 000 12	676 000 52	M12	88	26	7,5	19,4	8,7	10,8	18	75	10