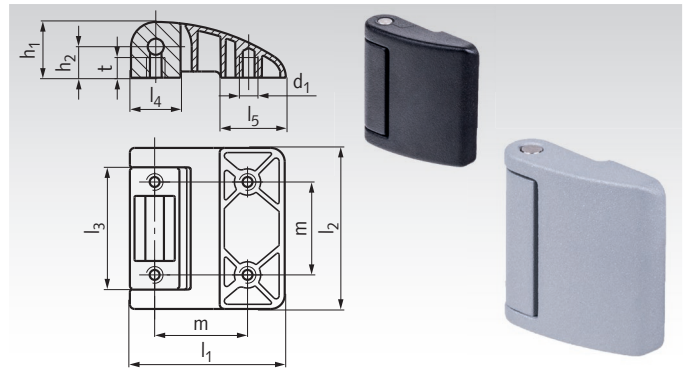


## Hinges M138, for mounting in a visual field

**Material:** Zinc die-cast, plastic-coated, matt textured finish, black RAL 9005 or silver RAL 9006.  
Pin: Stainless steel 1.4305 (AISI 303).

Non-detachable hinge for tamper proof mounting from the rear. Well-designed, with stylish appearance.

The dimensions  $l_1 / l_2$  and bore distances comply with the current hinges M237 / M237.1 and can replace these.



Ordering Details: e.g.: Product No. 677 002 21, Hinge M138, Black, 40mm

Product No. Black	Product No. Silver	$l_1$ mm	$l_2$ mm	$d_1$ mm	$d_2^*$ mm	$h_1$ mm	$h_2$ mm	$l_3$ mm	$l_4$ mm	$l_5$ mm	$m$ mm	$t$ mm	$F_A^{1)}$ N	$F_R^{2)}$ N	Weight g
677 002 21	677 002 31	40	42	M5	6	14	8	34	12	18	25	5	1000	4000	70
677 002 22	677 002 32	50	52	M6	6	18	10	39	16	21	30	6,5	1750	6000	130
677 002 23	677 002 33	60	62	M6	8	22	12	47	20	24	36	7,5	2000	6500	210

\* PIN diameter. <sup>1)</sup> Max. axial force. <sup>2)</sup> Max. radial force at opening angle 90°. These are non-binding guide values without any liability.

## Hinges M151 from Plastic

**Material:** Body: plastic (polyamide), black matt.  
Pin: Stainless steel 1.4305 (AISI 303).  
Threaded bolt: Nickel-plated brass.  
Threaded bushings: Nickel-plated brass.

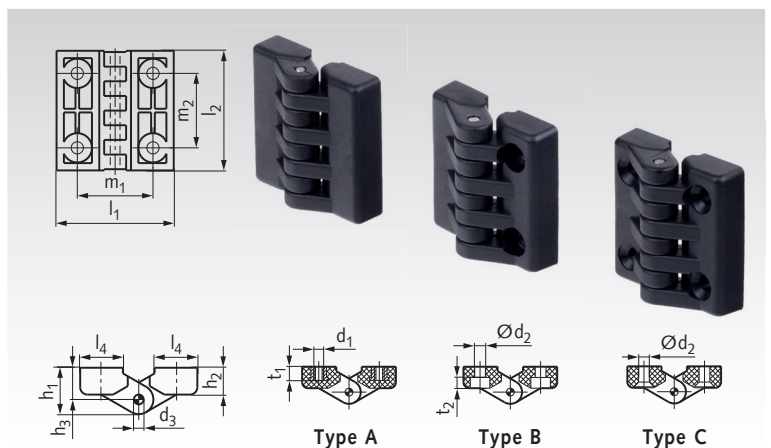
Non-detachable hinges. 3 types for choice: with threaded blind holes or cylindrical, stepped bores for socket head cap screws or countersunk bores or threaded bolts or in combinations.

Temperature resistant up to +80 °C.

<sup>1)</sup> Fastening torque for thread  $d_1$ .

<sup>2)</sup> Fastening torque for fitting screw in  $d_2$ .

<sup>3)</sup> Max. axial force. <sup>4)</sup> Max. radial force at opening angle 90°. These are non-binding guide values without any liability.



Ordering Details: e.g. Product No. 677 002 41, Hinge M151, Type A, 39mm

Product No.	Form	$l_1$ mm	$l_2$ mm	$d_1$ mm	$M_A^{1)}$ Nm	$d_2$ mm	$M_A^{2)}$ Nm	$d_3$ mm	$h_1$ mm	$h_2$ mm	$h_3$ mm	$l_3$ mm	$l_4$ mm	$m_1^{\pm 0,25}$ mm	$m_2^{\pm 0,25}$ mm	$t_1$ mm	$t_2$ mm	$F_A^{3)}$ N	$F_R^{4)}$ N	Weight g
677 002 41	A	39	40	M4	3	-	-	3	14	9	9,5	-	14	25	25,5	6,5	-	200	100	19
677 002 42	A	48	49	M5	5	-	-	4	19	11	13	-	17	31	30,5	7,0	-	400	170	39
677 002 43	A	64	65	M6	5	-	-	5	23	13,5	15	-	24	40	40	10	-	640	220	85
677 002 44	A	98	98	M10	5	-	-	8	35	20,5	23	-	35	63	60	15	-	970	590	280
677 002 45	B	39	40	-	-	4,3	1	3	14	9	9,5	-	14	25	25,5	-	4,5	137	180	14
677 002 46	B	48	49	-	-	5,5	2	4	19	11	13	-	17	31	30,5	-	5,5	360	250	29
677 002 47	B	64	65	-	-	6,5	5	5	23	13,5	15	-	24	40	40	-	6,5	510	260	57
677 002 48	B	98	98	-	-	10,5	5	8	35	20,5	23	-	35	63	60	-	10,5	1050	540	200
677 002 49	C	39	40	-	-	4,3	1	3	14	9	9,5	-	14	25	25,5	-	-	130	280	15
677 002 50	C	48	49	-	-	5,5	2	4	19	11	13	-	17	31	30,5	-	-	300	320	29
677 002 51	C	64	65	-	-	6,5	3	5	23	13,5	15	-	24	40	40	-	-	520	240	62
677 002 52	C	98	98	-	-	10,5	5	8	35	20,5	23	-	35	63	60	-	-	1110	510	200