

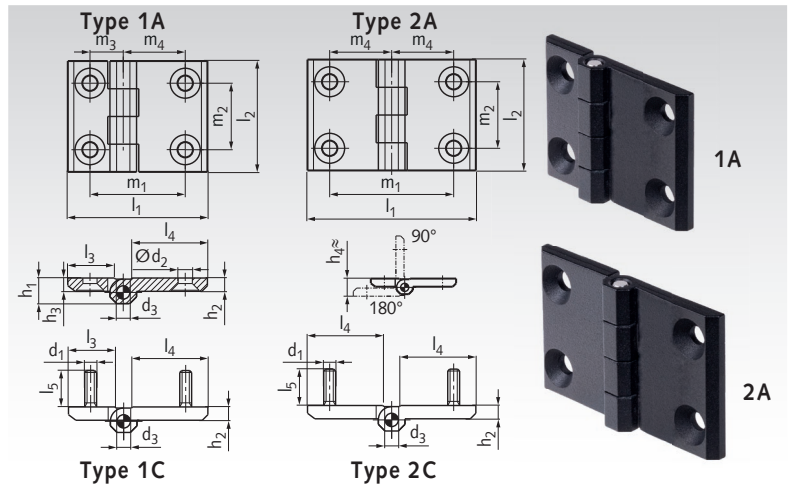
Hinges M237L, with Extended Hinge-Wings

Material: Zinc die cast, plastic coated, black, textured finish.
 Pin: Stainless steel 1.4305 (AISI 303).
 Threaded bolts (type C): Stainless steel 1.4401 (AISI 316)

This non-detachable hinges are extended on one side or two sides.
 With countersunk holes for screws DIN 7991 (Type A) or threaded bolts (Type C).

Type 1A: extended on one side, with sunkholes.
Type 1C: extended on one side, with threaded bolts.
Type 2A: extended on both sides, with sunkholes.
Type 2C: extended on both sides, with threaded bolts.

Ordering Details: e.g. Product No. 677 003 51, Hinge M237, Type 1A, 63mm



Product No.	Type	l_1 mm	l_2 mm	d_1 mm	d_2 mm	d_3 mm	h_1 mm	h_2 mm	h_3 mm	$h_4^{+0,5}$ mm	l_3 mm	l_4 mm	l_5 mm	m_1 mm	m_2 mm	m_3 mm	m_4 mm	$F_A^{1)}$ N	$F_R^{2)}$ N	Weight g
677 003 51	1A	63	50	-	6,3	6	11,5	6	6,5	13	18,5	31,5	-	43	30	15	28	1500	1250	104
677 003 52	1A	90	60	-	8,4	8	15	8	8,5	17	21,5	51,5	-	63	36	18	45	1500	1500	200
677 003 53	1C	63	50	M6	-	6	11,5	6	6,5	13	18,5	31,5	12	43	30	15	28	1500	2000	119
677 003 54	1C	90	60	M8	-	8	15	8	8,5	17	21,5	51,5	14	63	36	18	45	2000	1500	277
677 003 55	2A	76	50	-	6,3	6	11,5	6	6,5	13	-	31,5	-	56	30	-	28	1300	1250	125
677 003 56	2A	120	60	-	8,4	8	15	8	8,5	17	-	51,5	-	90	36	-	45	1300	1500	313
677 003 57	2C	76	50	M6	-	6	11,5	6	6,5	13	-	31,5	12	56	30	-	28	1200	2000	145
677 003 58	2C	120	60	M8	-	8	15	8	8,5	17	-	51,5	14	90	36	-	45	1500	1500	364

¹⁾ Max. axial force. ²⁾ Max. radial force at opening angle 90°. These are non-binding guide values without any liability.

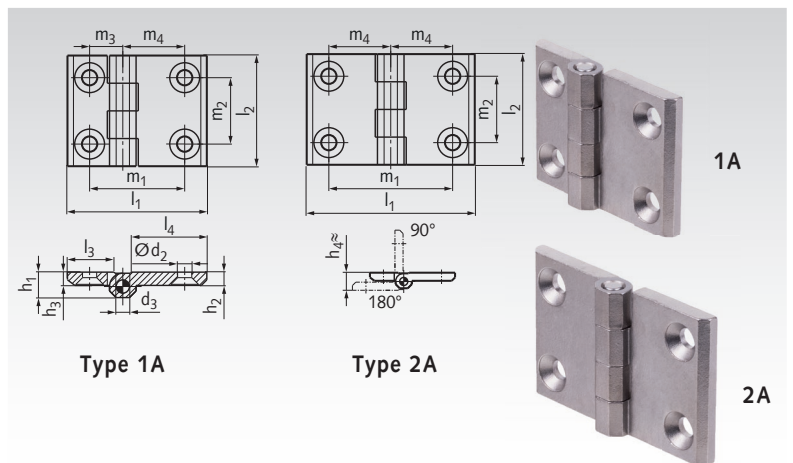
Hinges M237L, with Extended Hinge-Wings, Stainless Steel

Material: Stainless steel 1.4308 (CF-8), matt blasted.
 Pin: Stainless steel 1.4571 (AISI 316 Ti).

This non-detachable hinges are extended on one side (1) or two sides (2).
 With countersunk holes for screws DIN 7991.



Type 1A: extended on one side, with sunkholes.
Type 2A: extended on both sides, with sunkholes.



Ordering Details: e.g. Product No. 677 003 61, Hinge M237, Type 1A, 63mm

Product No.	Type	l_1 mm	l_2 mm	d_2 mm	d_3 mm	h_1 mm	h_2 mm	h_3 mm	$h_4^{+0,5}$ mm	l_3 mm	l_4 mm	m_1 mm	m_2 mm	m_3 mm	m_4 mm	$F_A^{1)}$ N	$F_R^{2)}$ N	Weight g
677 003 61	1A	63	50	6,3	6	11,5	6	6,5	13	18,5	31,5	43	30	15	28	1500	2000	132
677 003 62	1A	90	60	8,4	8	15	8	8,5	17	21,5	51,5	63	36	18	45	1500	2000	287
677 003 65	2A	76	50	6,3	6	11,5	6	6,5	13	-	31,5	56	30	-	28	1200	2000	154
677 003 66	2A	120	60	8,4	8	15	8	8,5	17	-	51,5	90	36	-	45	1200	2000	449

¹⁾ Max. axial force. ²⁾ Max. radial force at opening angle 90°. These are non-binding guide values without any liability.