

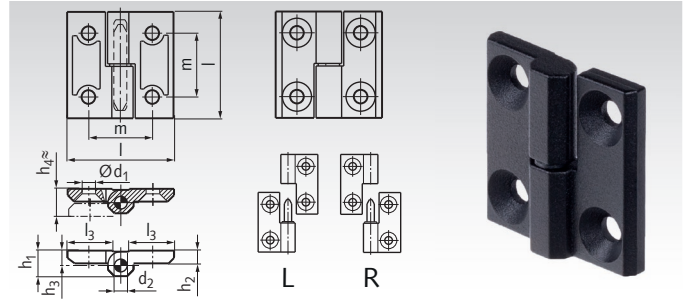
Hinges M337, Detachable, Zinc die cast

Material: Zinc die cast, plastic coated black RAL 9005, matt texture finish.
Pin: Stainless steel 1.4305 (AISI 303).

Detachable hinges with sliding disc from plastic.
Before mounting, the pin should be lightly greased.
With bores for countersunk screws DIN 7991.

Type L: for installation at the left side.
Type R: for installation at the right side.

Ordering Details: e.g. Product No. 677 004 11, Hinge M337, Zinc, Type L, 40mm



Product No.	Type	l	d ₁	d ₂	h ₁	h ₂	h ₃	h ₄ ^{+0,5}	l ₃	m	F _A ¹⁾	F _R ²⁾	Weight
Zinc die cast		mm	mm	mm	mm	mm	mm	mm	mm	mm	N	N	g
677 004 11	L	40	5,3	4	9	5	5,5	11	16	25	1500	1600	40
677 004 12	R	40	5,3	4	9	5	5,5	11	16	25	1500	1600	40
677 004 13	L	50	6,4	6	11,5	6	6,5	13	21	30	2500	2500	80
677 004 14	R	50	6,4	6	11,5	6	6,5	13	21	30	2500	2500	80
677 004 15	L	60	8,3	8	15	8	8,5	17	26	36	3100	3500	160
677 004 16	R	60	8,3	8	15	8	8,5	17	26	36	3100	3500	160

¹⁾ Max. axial force. ²⁾ Max. radial force at opening angle 90°. These are non-binding guide values without any liability.

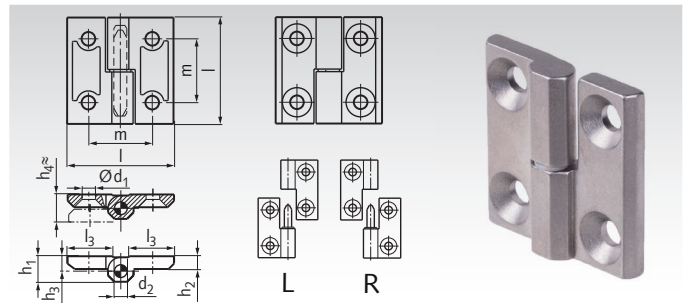
Hinges M337, Detachable, Stainless steel

Material: Stainless steel 1.4308, matt blasted.
Pin: Stainless steel 1.4305 (AISI 303).

Detachable hinges with sliding disc from plastic.
Before mounting, the pin should be lightly greased.
With bores for countersunk screws DIN 7991.

Type L: for installation at the left side.
Type R: for installation at the right side.

Ordering Details: e.g. Product No. 677 004 31, Hinge M337, Stainless Steel, Type L, 40mm



Product No.	Type	l	d ₁	d ₂	h ₁	h ₂	h ₃	h ₄ ^{+0,5}	l ₃	m	F _A ¹⁾	F _R ²⁾	Weight
Stainless		mm	mm	mm	mm	mm	mm	mm	mm	mm	N	N	g
677 004 31	L	40	5,3	4	9	5	5,5	11	16	25	2000	3500	52
677 004 32	R	40	5,3	4	9	5	5,5	11	16	25	2000	3500	52
677 004 33	L	50	6,4	6	11,5	6	6,5	13	21	30	2500	3500	100
677 004 34	R	50	6,4	6	11,5	6	6,5	13	21	30	2500	3500	100
677 004 35	L	60	8,3	8	15	8	8,5	17	26	36	5000	6000	200
677 004 36	R	60	8,3	8	15	8	8,5	17	26	36	5000	6000	200

¹⁾ Max. axial force. ²⁾ Max. radial force at opening angle 90°. These are non-binding guide values without any liability.

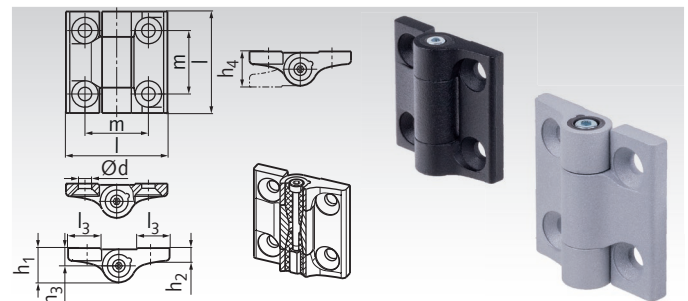
Hinges M437, with Adjustable Friction

Material: Zinc die cast, plastic coated, matt texture finish, black RAL 9005 or silver RAL 9006.
Friction cone: Polyacetal POM.
Adjusting screw / threaded bushing: Steel zinc-plated.

The agility of the non-detachable hinge can be adjusted by a setscrew. Two cones with large friction face create an adjustable torque. This hinge is free of axial clearance and offers a long service life with almost consistently stiffness. Bores for countersunk screws DIN 7991.

Temperature resistant up to +80 °C.

Ordering Details: e.g. Product No. 677 004 51, Hinge M437, 40mm



Product No.	Product No.	l	d	h ₁	h ₂	h ₃	h ₄	l ₃	m	sw	max. tightening torque	Friction torque	F _A ¹⁾	F _R ²⁾	Weight
Black	Silver	mm	mm	mm	mm	mm	mm	mm	mm	mm	Nm	Nm	N	N	g
677 004 51	677 004 61	40	5,3	13,5	5	7	14	13	25	2,5	0,5	2	1200	1600	52
677 004 52	677 004 62	50	6,5	15,5	6	8	16	16,5	30	3	0,75	4	1600	2000	91
677 004 53	677 004 63	60	8,3	18,5	7,5	9,5	19	20	36	4	1,5	6,5	2000	2500	161

¹⁾ Max. axial force. ²⁾ Max. radial force at opening angle 90°. These are non-binding guide values without any liability.