

Rubber-Metal Bumpers MGK, Conical Design

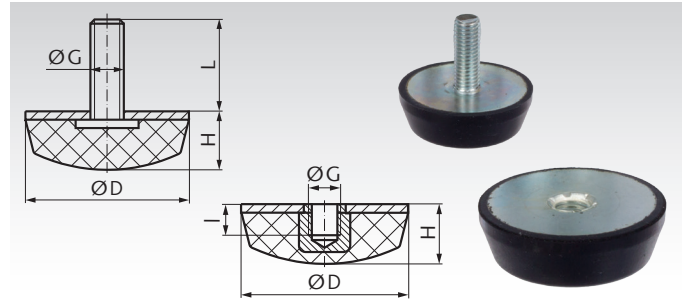
Material: Metal parts: Steel, zinc-plated.
Elastomer: Natural rubber hardness 55° Shore A.

Simple, reasonably priced standard components used for elastic mounting. When shearing load occurs their load-bearing capacity is considerably lower than with pressure load. This has to be considered when horizontal mass forces or belt traction occur. The grade of rubber used has perfect physical properties.

Type A: with threaded stud.

Type I: with internal thread.

Ordering Details: e.g.: Product No. 685 831 00, Rubber-Metal Bumpers MGK-A, 25 mm



Product No. Type A	Product No. Type I	D mm	H mm	G mm	L mm	I mm	Spring Rate CD medium N/mm	Pressure Load Perm. Pressure Load $F_{perm.}^*$ N	Weight g
685 831 00	685 841 00	25	17	M6	18	6	125	500	15
685 835 00	685 845 00	50	18	M10	28	10	700	2000	75

* $F_{perm.}$: Note page 619 bottom.

Rubber-Metal Buffers KP

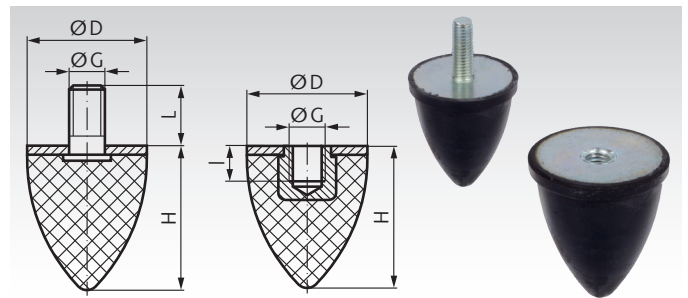
Material: Metal parts: Steel, zinc-plated.
Elastomer: Natural rubber hardness 55° Shore A.

Simple, reasonably priced standard components used for elastic mounting. When shearing load occurs their load-bearing capacity is considerably lower than with pressure load. This has to be considered when horizontal mass forces or belt traction occur. The grade of rubber used has perfect physical properties.

Type A: with threaded stud.

Type I: with internal thread.

Ordering Details: e.g.: Product No. 685 030 00, Rubber-Metal Buffers KP-A 10x10



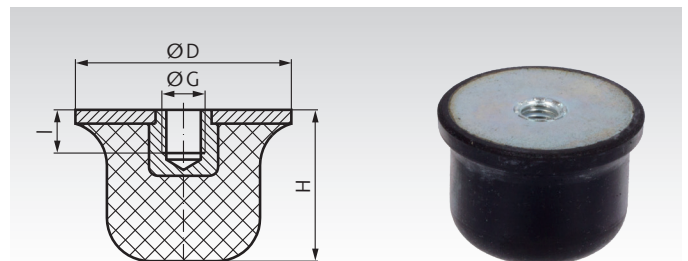
Product No. Type A	Product No. Type I	D mm	H mm	G mm	L mm	I mm	Spring Rate CD medium N/mm	Pressure Load Perm. Pressure Load $F_{perm.}^*$ N	Weight g
685 030 00	685 030 01	10	10	M4	10	4			
685 031 00	685 031 01	20	24	M6	18	6	15	60	11
685 035 00	685 035 01	30	36	M8	20	8	23	140	37
685 041 00	685 041 01	35	40	M8	20	8	27	150	45
685 045 00	685 045 01	50	58	M10	28	10	33	320	127
685 051 00	685 051 01	50	67	M8	36	8	40	400	136
685 055 00	685 055 01	75	89	M12	37	12	55	900	341
685 061 00	685 061 01	115	136	M16	42	16	75	1800	1042

* $F_{perm.}$: Note page 619 bottom.

Rubber-Metal Buffers KE

Material: Metal parts: Steel, zinc-plated.
Elastomer: Natural rubber Hardness 55° Shore A.

Simple, reasonably priced standard components for elastic mounting. When shearing load occurs their load-bearing capacity is considerably lower than with pressure load. This has to be considered when horizontal mass forces or belt traction occur. The grade of rubber used has perfect physical properties.



Ordering Details: e.g.: Product No. 685 131 00, Rubber-Metal Buffers KE 50x35

Product No.	D mm	H mm	G mm	I mm	Spring Rate CD medium N/mm	Pressure Load Perm. Pressure Load $F_{perm.}^*$ N	Weight g
685 131 00	50	35	M10	10	100	400	88
685 135 00	80	60	M12	12	170	1200	308
685 141 00	125	90	M16	16	260	3000	830

* $F_{perm.}$: Note page 619 bottom.