

## Rubber-Metal Buffers MGE

**Material:** Elastomer: Natural rubber, hardness 55° Shore.  
Metal parts: Steel, zinc-plated or stainless steel 1.4301 (AISI 304).



One side with internal thread.

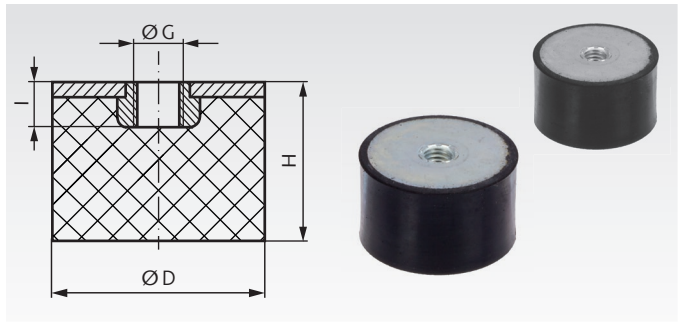
Standard components for elastic mounting.

The grade of rubber used has perfect physical properties.

Temperature resistant up to 80°C.

Other sizes, Shore hardnesses or elastomer types on request.

Ordering Details: e.g.: Product No. 685 100 81, Rubber-Metal Buffer 8x8mm, M3



Product No. Zinc-plated	Product No. Stainless	D mm	H mm	G mm	I mm	Pressure Load		Weight g
						Spring Load CD medium N/mm	Permiss. Load F <sub>perm.</sub> * N	
685 100 81	689 100 81	8	8	M3	3	33	36	1
685 101 01	689 101 01	10	10	M4	4	39	44	1
685 101 02	689 101 02	10	15	M4	4	14	44	2
685 101 51	689 101 51	15	10	M4	4	108	96	4
685 101 52	689 101 52	15	15	M4	4	76	96	5
685 101 53	689 101 53	15	15	M5	5	76	96	4
685 102 01	689 102 01	20	10	M6	6	155	170	7
685 102 02	689 102 02	20	11	M6	6	152	170	7
685 102 03	689 102 03	20	12	M6	6	154	170	8
685 102 04	689 102 04	20	13,5	M6	6	140	170	8
685 102 05	689 102 05	20	15	M6	6	137	170	9
685 102 06	689 102 06	20	20	M6	6	90	170	11
685 102 07	689 102 07	20	25	M6	6	82	170	12
685 102 51	689 102 51	25	10	M6	6	275	280	11
685 102 52	689 102 52	25	15	M6	6	255	280	14
685 102 53	689 102 53	25	20	M6	6	130	280	16
685 102 54	689 102 54	25	25	M6	6	101	280	19
685 102 56	689 102 56	25	30	M6	6	82	280	22
685 103 01	689 103 01	30	15	M8	8	290	400	21
685 103 02	689 103 02	30	17	M8	8	280	400	23
685 103 03	689 103 03	30	20	M8	8	205	400	25
685 103 04	689 103 04	30	25	M8	8	181	400	29
685 103 05	689 103 05	30	30	M8	8	122	400	33
685 103 06	689 103 06	30	40	M8	8	89	400	57
685 104 01	689 104 01	40	20	M8	8	342	650	44
685 104 02	689 104 02	40	20	M10	10	342	650	47
685 104 03	689 104 03	40	25	M8	8	280	650	50
685 104 04	689 104 04	40	30	M8	8	240	650	57
685 104 05	689 104 05	40	30	M10	10	240	650	81
685 104 06	689 104 06	40	40	M8	8	205	650	73
685 105 01	689 105 01	50	20	M10	10	685	1000	69
685 105 02	689 105 02	50	25	M10	10	650	1000	83
685 105 03	689 105 03	50	28	M10	10	440	1000	112
685 105 04	689 105 04	50	30	M10	10	420	1000	93
685 105 05	689 105 05	50	35	M10	10	405	1000	109
685 105 06	689 105 06	50	40	M10	10	393	1000	116
685 105 07	689 105 07	50	45	M10	10	350	1000	127
685 105 08	689 105 08	50	50	M10	10	305	1000	138
685 106 01	689 106 01	60	30	M10	10	610	1500	139
685 106 02	689 106 02	60	30	M12	12	610	1500	157
685 106 03	689 106 03	60	40	M10	10	475	1500	189
685 106 04	689 106 04	60	40	M12	12	475	1500	182
685 107 01	689 107 01	70	25	M10	10	655	1800	161
685 107 02	689 107 02	70	30	M10	10	632	1800	183
685 107 03	689 107 03	70	45	M10	10	804	1800	245
685 107 51	689 107 51	75	25	M12	12	2050	2300	203
685 107 52	689 107 52	75	40	M12	12	700	2300	283
685 107 53	689 107 53	75	45	M12	12	700	2300	303
685 107 54	689 107 54	75	50	M12	12	590	2300	328
685 107 55	689 107 55	75	55	M12	12	765	2300	364
685 110 01	689 110 01	100	40	M16	16	1600	4200	513
685 110 02	689 110 02	100	50	M16	16	890	4200	592
685 110 03	689 110 03	100	55	M16	16	860	4200	646
685 110 04	689 110 04	100	60	M16	16	780	4200	695
685 110 05	689 110 05	100	75	M16	16	805	4200	837
685 115 01	-	150	45	M16	16	3800	6000	1321
685 115 02	-	150	50	M16	16	3345	6000	1399
685 115 03	-	150	55	M16	16	3200	6000	1494
685 115 05	-	150	75	M16	16	1400	6000	1940
685 115 06	-	150	100	M20	20	900	6000	2340