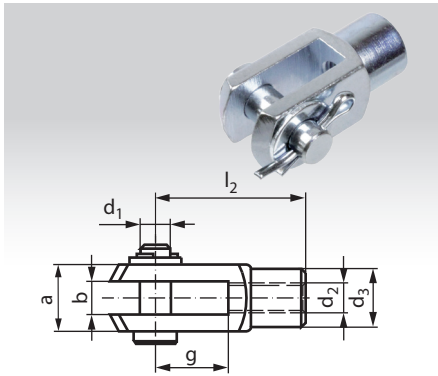


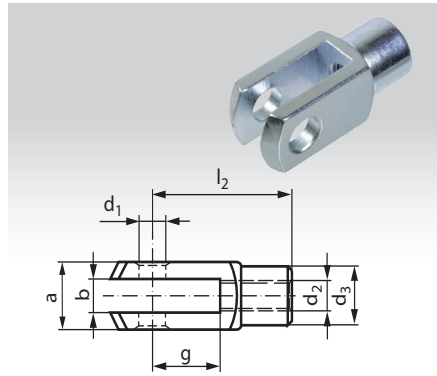
### Clevis Joints DIN 71752, Steel



**Material:** Steel zinc-plated.  
**Design A:** with split pin.

Ordering Details: e.g.: Product No. 637 001 00, Clevis Joint DIN 71752, A 4 x 8 Right Hand

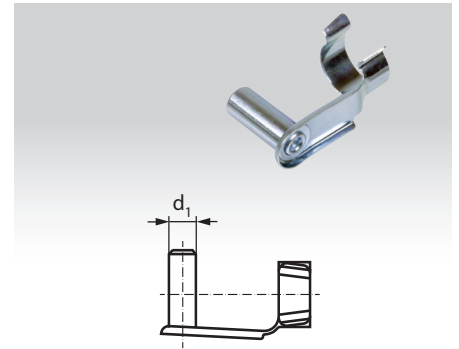
### Clevises DIN 71752, Steel



**Material:** Steel zinc-plated.  
**Design G:** without bolt.

Ordering Details: e.g.: Product No. 637 201 00, Clevis DIN 71752, G 4 x 8 Right Hand

### Snap-On-Bolts type ES, Steel



**Material:** Steel zinc-plated.  
**ES-Standard 01**

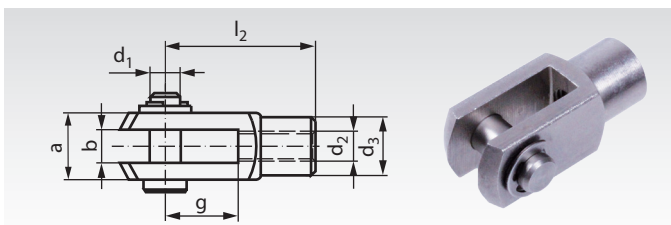
Ordering Details: e.g.: Product No. 637 401 00, ES Pin, for G 4 x 8

Product No. A right	Product No. A left	Product No. G right	Product No. G left	Product No. ES Bolt	Size mm	a mm	b mm	d <sub>1</sub> mm	d <sub>2</sub> mm	d <sub>3</sub> mm	g mm	l <sub>2</sub> mm	Weight		
													A g	G g	ES g
637 001 00	637 101 00	637 201 00	637 301 00	637 401 00	4 x 8	8	4	4	M4	8	8	16	6	5	1,5
637 002 00	637 102 00	637 202 00	637 302 00	637 402 00	4 x 16	8	4	4	M4	8	16	24	8	7	2,6
637 003 00	637 103 00	637 203 00	637 303 00	637 403 00	5 x 10	10	5	5	M5	9	10	20	10	9	2,7
637 004 00	637 104 00	637 204 00	637 304 00	637 404 00	5 x 20	10	5	5	M5	9	20	30	14	13	2,9
637 005 00	637 105 00	637 205 00	637 305 00	637 405 00	6 x 12	12	6	6	M6	10	12	24	16	15	4,6
637 006 00	637 106 00	637 206 00	637 306 00	637 406 00	6 x 24	12	6	6	M6	10	24	36	23	22	5
637 007 00	637 107 00	637 207 00	637 307 00	637 407 00	8 x 16	16	8	8	M8	14	16	32	38	37	10,4
637 008 00	637 108 00	637 208 00	637 308 00	637 408 00	8 x 32	16	8	8	M8	14	32	48	55	54	11,5
637 009 00	637 109 00	637 209 00	637 309 00	637 409 00	10 x 20	20	10	10	M10	18	20	40	80	74	19
637 010 00	637 110 00	637 210 00	637 310 00	637 410 00	10 x 40	20	10	10	M10	18	40	60	120	116	20,3
637 011 00	637 111 00	637 211 00	637 311 00	637 411 00	12 x 24	24	12	12	M12	20	24	48	125	121	33,5
637 012 00	637 112 00	637 212 00	637 312 00	637 412 00	12 x 48	24	12	12	M12	20	48	72	180	175	34,5
637 013 00	637 113 00	637 213 00	637 313 00	637 413 00	14 x 28	27	14	14	M14	24	28	56	190	178	45
637 014 00	637 114 00	637 214 00	637 314 00	637 414 00	14 x 56	27	14	14	M14	24	56	85	265	258	50
637 015 00	637 115 00	637 215 00	637 315 00	637 415 00	16 x 32	32	16	16	M16	26	32	64	300	282	70
637 016 00	637 116 00	637 216 00	637 316 00	637 416 00	16 x 64	32	16	16	M16	26	64	96	430	410	80
637 020 00	637 120 00	637 220 00	637 320 00	637 420 00	20 x 40*	40	20	20	M20	34	40	80	680	600	130

Clevis with ES-bolt can be used as clevis joint.

\* Size 20 is not part of the DIN.

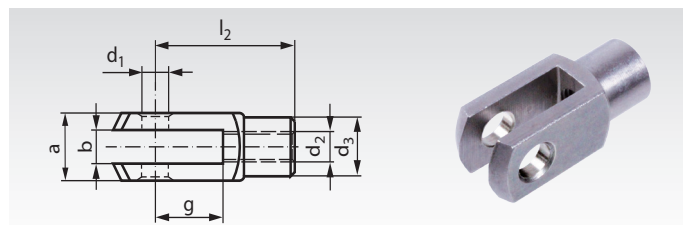
### Clevis Joints similar DIN 71752, Stainless



**Material:** Stainless Steel 1.4301 (AISI 304).  
**Design A:** With bolt and circlip.

Ordering Details: e.g.: Product No. 637 990 01, Clevis DIN 71752, A 4 x 8, Right Hand, Stainless

### Clevises similar DIN 71752, Stainless



**Material:** Stainless steel 1.4301 (AISI 304).  
**Design G:** Without bolt.

Ordering Details: e.g.: Product No. 637 992 01, Clevis DIN 71752, G 4 x 8, Right Hand, Stainless

Product No. A right	Product No. A left	Product No. G right	Product No. G left	Size mm	a mm	b mm	d <sub>1</sub> mm	d <sub>2</sub> mm	d <sub>3</sub> mm	g mm	l <sub>2</sub> mm	Weight	
												A g	G g
637 990 01	637 991 01	637 992 01	637 993 01	4 x 8	8	4	4	M4	8	8	16	6	5
637 990 02	637 991 02	637 992 02	637 993 02	4 x 16	8	4	4	M4	8	16	24	8	7
637 990 03	637 991 03	637 992 03	637 993 03	5 x 10	10	5	5	M5	9	10	20	10	9
637 990 04	637 991 04	637 992 04	637 993 04	5 x 20	10	5	5	M5	9	20	30	14	13
637 990 05	637 991 05	637 992 05	637 993 05	6 x 12	12	6	6	M6	10	12	24	16	15
637 990 06	637 991 06	637 992 06	637 993 06	6 x 24	12	6	6	M6	10	24	36	23	22
637 990 07	637 991 07	637 992 07	637 993 07	8 x 16	16	8	8	M8	14	16	32	38	37
637 990 08	637 991 08	637 992 08	637 993 08	8 x 32	16	8	8	M8	14	32	48	55	54
637 990 09	637 991 09	637 992 09	637 993 09	10 x 20	20	10	10	M10	18	20	40	80	74
637 990 10	637 991 10	637 992 10	637 993 10	10 x 40	20	10	10	M10	18	40	60	120	116
637 990 11	637 991 11	637 992 11	637 993 11	12 x 24	24	12	12	M12	20	24	48	125	121
637 990 12	637 991 12	637 992 12	637 993 12	12 x 48	24	12	12	M12	20	48	72	180	175
637 990 13	637 991 13	637 992 13	637 993 13	14 x 28	27	14	14	M14	24	28	56	190	178
637 990 14	637 991 14	637 992 14	637 993 14	14 x 56	27	14	14	M14	24	56	85	265	258
637 990 15	637 991 15	637 992 15	637 993 15	16 x 32	32	16	16	M16	26	32	64	300	282
637 990 16	637 991 16	637 992 16	637 993 16	16 x 64	32	16	16	M16	26	64	96	430	410
637 990 20	-	637 992 20	-	20 x 40*	40	20	20	M20	34	40	80	680	600

\* Size 20 is not part of the DIN.