

Pressure Regulator (with Relief Function)

Materials:

Housing: Zinc die-cast.

End covers: Polyacetal.

Valve: Brass.

O-ring seals: Synthetic elastomers.

Medium: Compressed air.


Operating pressure: Max. 20 bar.

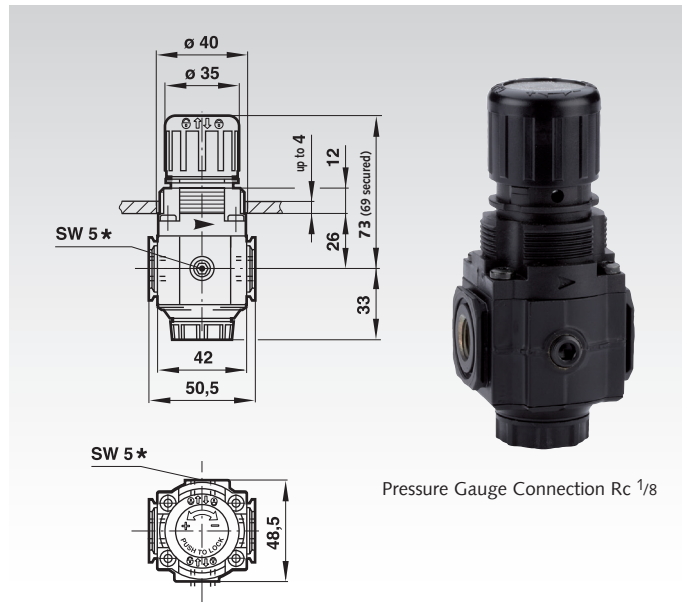
Pressure range: 0.3 to 10 bar as standard.

Relieving Operation: Relief function as standard.

Max. flow: 33 l/s (connection G¹/₄, inlet pressure 10 bar, set pressure: 6.3 bar, Δp = 1 bar).

Ordering details: e.g.: Product No. 830 005 00, Pressure Regulator with Relief Valve, Connection G¹/₄

Symbol	Product No.	Connection	Weight g
	830 005 00	G ¹ / ₄	360



Compressed-Air Filter

Materials:

Bowl: Polycarbonate.

Housing: Zinc die-cast.

O-ring seals: Synthetic elastomers.

Filter element: Polypropylene.

Medium: Compressed air.

Operating pressure: Max. 10 bar.

Max. flow: 28 l/s (Connection G¹/₄).


Operating pressure = 6.3 bar.

Δp = 0.5 bar.

Filter element 40 μm.

Draining: Manual as standard.

Ordering details: e.g.: Product No. 830 007 00, Compressed-Air Filter with Manual Draining, Connection G¹/₄

Symbol	Product No.	Connection	Weight g
	830 007 00	G ¹ / ₄	490

