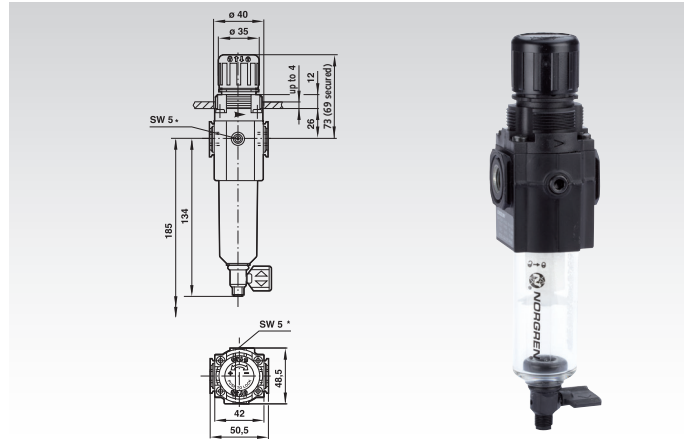


Filter / Regulators

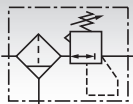
Materials:

Bowl: Polycarbonate.
Housing: Zinc die-cast.
O-ring seals: synthetic elastomers.
Filter element: Polypropylene.

Medium: Compressed Air.
Operating pressure: max. 10 bar.
Filter element: 40 µm standard.
Draining: Manual.
Pressure range: 0.3 to 10 bar as standard.
Relief valve: Standard with relief valve.
Max. flow: 38 l/s (connection G¹/₄, inlet pressure 10 bar,
Set pressure 6.3 bar, Δp = 1 bar, filter element 40 µm).



Ordering Details: e.g.: Article No. 830 011 00, Filter/ Regulator with Manual Draining

Symbol	Product No.	Connection	Weight g	Product No. Spare filter
	830 011 00	G ¹ / ₄	520	830 007 01


Micro-Fog or Standard Fog Oilers

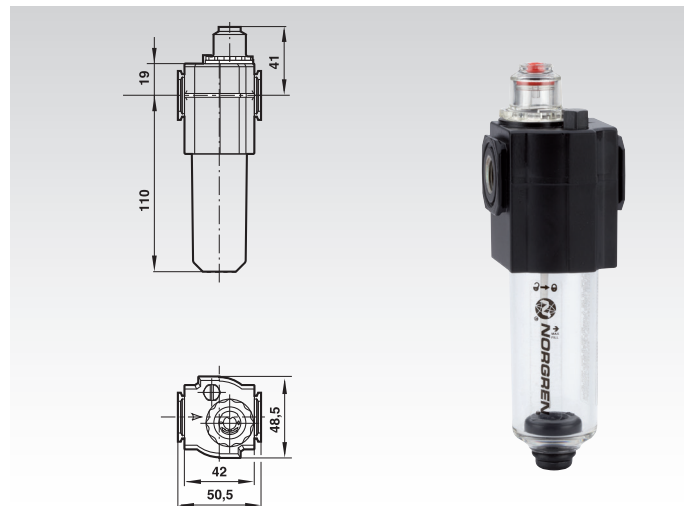
Materials:

Bowl: Polycarbonate.
Housing: Zinc die-cast.
O-ring seals: synthetic elastomers.
Sight-feed dome: Polycarbonate.

Medium: Compressed Air.
Operating pressure: max. 10 bar.
Bowl size: 0.04 litre.
Flow: 0.47 l/s to 24 l/s*.
*Max. value (connection G¹/₄, inlet pressure = 6.3 bar, Δp = 0.5 bar).

Ordering Details: e.g.: Product No. 830 013 00, Micro-Fog Oiler

Symbol	Product No.	Connection	Type	Weight g
	830 013 00	G ¹ / ₄	Micro-fog oiler	490
	830 015 00	G ¹ / ₄	Standard Fog Oiler	490



Pressure Relief Valve

Materials:

Housing: Zinc die-cast.
End cover: Polyacetal.
O-ring seals: synthetic elastomers.

Medium: Compressed Air.
Operating pressure: max. 17 bar.
Pressure range: 0.3 to 10 bar as standard.

Ordering Details: e.g.: Product No. 830 017 00, Pressure Relief Valve

Symbol	Product No.	Connection	Weight g
	830 017 00	G ¹ / ₄	330

