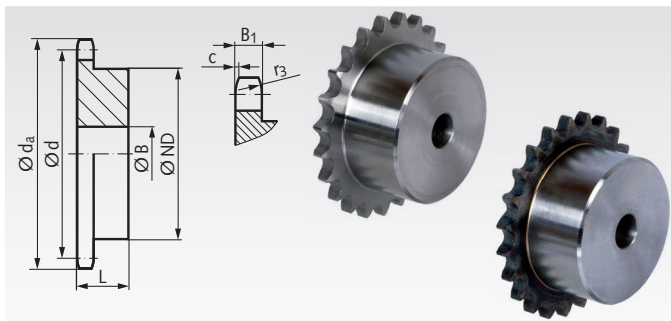


Ozubené kolesá s jednostranným nábojom, ISO 12 B-1



Materiál: Oceľ C45. Predvrtané.

Ozubené kolesá označené s * sú vyrobené zo šedej liatiny GG25. Ozubené kolesá označené s 1) vyrobené z ocele St52 - sú zvárané v náboji.

Typ KRS: Nekalené. **Typ KRG:** Zuby indukčne kalené (\approx HRC 50).

Informácie potrebné na objednanie: napr.: Produkt č. 107 108 00, KRS, ISO 12 B-1, 8 zubov

ISO 12 B-1, Rozteč 3/4 x 7/16"

$B_1 = 11.1$ mm, $c = 2.0$ mm, $r_3 = 19$ mm

| Produkt č. Typ KRS | Produkt č. Typ KRG | Počet zubov | d_a mm | d mm | ND mm | B mm | L mm | Hmot. kg |
|--------------------------|-----------------------|----------------|-------------|-----------|----------|---------|---------|-------------|
| 107 108 00 | 107 881 08 | 8 | 57,6 | 49,78 | 31 | 12 | 30 | 0,22 |
| 107 109 00 | 107 881 09 | 9 | 62,0 | 55,70 | 37 | 12 | 30 | 0,30 |
| 107 110 00 | 107 881 10 | 10 | 69,0 | 61,64 | 42 | 12 | 30 | 0,39 |
| 107 111 00 | 107 881 11 | 11 | 75,0 | 67,61 | 46 | 16 | 35 | 0,53 |
| 107 112 00 | 107 881 12 | 12 | 81,5 | 73,61 | 52 | 16 | 35 | 0,67 |
| 107 113 00 | 107 881 13 | 13 | 87,5 | 79,59 | 58 | 16 | 35 | 0,83 |
| 107 114 00 | 107 881 14 | 14 | 93,6 | 85,61 | 64 | 16 | 35 | 1,00 |
| 107 115 00 | 107 881 15 | 15 | 99,8 | 91,63 | 70 | 16 | 35 | 1,18 |
| 107 116 00 | 107 881 16 | 16 | 105,5 | 97,65 | 75 | 16 | 35 | 1,35 |
| 107 117 00 | 107 881 17 | 17 | 111,5 | 103,67 | 80 | 16 | 35 | 1,53 |
| 107 118 00 | 107 881 18 | 18 | 118,0 | 109,71 | 80 | 16 | 35 | 1,61 |
| 107 119 00 | 107 881 19 | 19 | 124,2 | 115,75 | 80 | 16 | 35 | 1,72 |
| 107 120 00 | 107 881 20 | 20 | 129,7 | 121,78 | 80 | 16 | 35 | 1,80 |
| 107 121 00 | 107 881 21 | 21 | 136,0 | 127,82 | 90 | 20 | 40 | 2,35 |
| 107 122 00 | 107 881 22 | 22 | 141,8 | 133,86 | 90 | 20 | 40 | 2,47 |
| 107 123 00 | 107 881 23 | 23 | 149,0 | 139,90 | 90 | 20 | 40 | 2,55 |
| 107 124 00 | 107 881 24 | 24 | 153,9 | 145,94 | 90 | 20 | 40 | 2,68 |
| 107 125 00 | 107 881 25 | 25 | 160,0 | 152,00 | 90 | 20 | 40 | 2,78 |
| 107 126 00 | 107 881 26 | 26 | 165,9 | 158,04 | 95 | 20 | 40 | 3,09 |
| 107 127 00 | 107 881 27 | 27 | 172,3 | 164,09 | 95 | 20 | 40 | 3,20 |
| 107 128 00 | 107 881 28 | 28 | 178,0 | 170,13 | 95 | 20 | 40 | 3,35 |
| 107 130 00 | 107 881 30 | 30 | 190,5 | 182,25 | 95 | 20 | 40 | 3,61 |
| 107 132 00 | 107 881 32 | 32 | 203,3 | 194,35 | 100 | 20 | 40 | 4,10 |
| 107 134 00 | 107 881 34 | 34 | 214,6 | 206,46 | 100 | 20 | 40 | 4,45 |
| 107 135 00 | 107 881 35 | 35 | 221,0 | 212,52 | 100 | 20 | 40 | 4,62 |
| 107 136 00 | 107 881 36 | 36 | 226,8 | 218,58 | 100 | 20 | 40 | 4,77 |
| 107 138 00 | 107 881 38 | 38 | 239,0 | 230,69 | 100 | 20 | 40 | 5,00 |
| 107 140 00 | 107 881 40 | 40 | 251,3 | 242,81 | 100 | 20 | 40 | 5,56 |
| 107 145 00* | - | 45 | 282,5 | 273,10 | 100 | 24 | 56 | 5,38 |
| 107 148 00 ¹⁾ | - | 48 | 300,1 | 291,27 | 110 | 25 | 56 | 9,67 |
| 107 150 00 ¹⁾ | - | 50 | 312,3 | 303,39 | 110 | 25 | 56 | 10,15 |
| 107 157 00* | - | 57 | 354,0 | 345,81 | 100 | 30 | 56 | 7,06 |
| 107 176 00* | - | 76 | 469,9 | 460,99 | 100 | 30 | 56 | 9,49 |
| 107 183 00* | - | 95 | 585,1 | 576,17 | 100 | 30 | 65 | 15,53 |
| 107 188 00* | - | 114 | 700,6 | 691,36 | 100 | 30 | 65 | 23,00 |

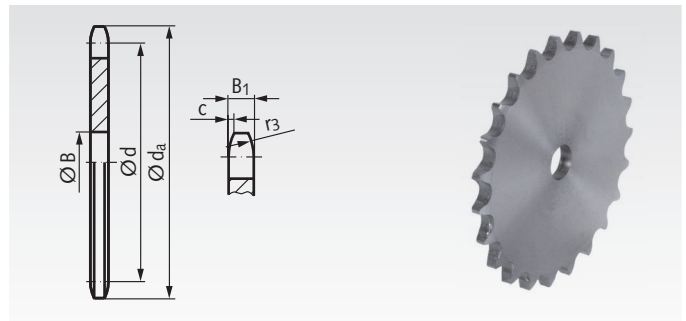


Ozubené kolesá označené s * sú vyrobené z šedej liatiny GG25.



Úpravy možné do
24h.
Zákazkové diely na
vyžiadanie.

Ozubené kolesá bez náboja KRL, ISO 12 B-1



Materiál: Oceľ, nekalená. Predvrtané.

Informácie potrebné na objednanie: napr.: Produkt č. 107 208 00, KRL, ISO 12 B-1, 8 zubov

ISO 12 B-1, Rozteč 3/4 x 7/16"

$B_1 = 11.1$ mm, $c = 2.0$ mm, $r_3 = 19$ mm

| Produkt č. Typ KRL | Počet zubov | d_a mm | d mm | B mm | Hmot. kg |
|-----------------------|----------------|-------------|-----------|---------|-------------|
| 107 208 00 | 8 | 57,6 | 49,78 | 12 | 0,12 |
| 107 209 00 | 9 | 62,0 | 55,70 | 12 | 0,16 |
| 107 210 00 | 10 | 69,0 | 61,64 | 12 | 0,20 |
| 107 211 00 | 11 | 75,0 | 67,61 | 14 | 0,24 |
| 107 212 00 | 12 | 81,5 | 73,61 | 14 | 0,29 |
| 107 213 00 | 13 | 87,5 | 79,59 | 14 | 0,35 |
| 107 214 00 | 14 | 93,6 | 85,61 | 14 | 0,40 |
| 107 215 00 | 15 | 99,8 | 91,63 | 14 | 0,48 |
| 107 216 00 | 16 | 105,5 | 97,65 | 14 | 0,55 |
| 107 217 00 | 17 | 111,5 | 103,67 | 14 | 0,64 |
| 107 218 00 | 18 | 118,0 | 109,71 | 14 | 0,70 |
| 107 219 00 | 19 | 124,2 | 115,75 | 14 | 0,79 |
| 107 220 00 | 20 | 129,7 | 121,78 | 14 | 0,89 |
| 107 221 00 | 21 | 136,0 | 127,82 | 16 | 0,98 |
| 107 222 00 | 22 | 141,8 | 133,86 | 16 | 1,07 |
| 107 223 00 | 23 | 149,0 | 139,90 | 16 | 1,18 |
| 107 224 00 | 24 | 153,9 | 145,94 | 16 | 1,32 |
| 107 225 00 | 25 | 160,0 | 152,00 | 16 | 1,43 |
| 107 226 00 | 26 | 165,9 | 158,04 | 16 | 1,54 |
| 107 227 00 | 27 | 172,3 | 164,09 | 16 | 1,67 |
| 107 228 00 | 28 | 178,0 | 170,13 | 16 | 1,76 |
| 107 229 00 | 29 | 184,1 | 176,19 | 16 | 1,93 |
| 107 230 00 | 30 | 190,5 | 182,25 | 16 | 2,10 |
| 107 232 00 | 32 | 203,3 | 194,35 | 20 | 2,37 |
| 107 234 00 | 34 | 214,6 | 206,46 | 20 | 2,49 |
| 107 235 00 | 35 | 221,0 | 212,52 | 20 | 2,79 |
| 107 236 00 | 36 | 226,8 | 218,58 | 20 | 3,03 |
| 107 238 00 | 38 | 239,0 | 230,69 | 20 | 3,39 |
| 107 240 00 | 40 | 251,3 | 242,81 | 20 | 3,72 |
| 107 242 00 | 42 | 264,5 | 254,93 | 25 | 4,10 |
| 107 244 00 | 44 | 276,5 | 267,04 | 25 | 4,68 |
| 107 245 00 | 45 | 282,5 | 273,10 | 25 | 4,81 |
| 107 246 00 | 46 | 287,9 | 279,16 | 25 | 4,86 |
| 107 247 00 | 47 | 294,2 | 285,21 | 25 | 5,28 |
| 107 248 00 | 48 | 300,1 | 291,27 | 25 | 5,37 |
| 107 250 00 | 50 | 312,3 | 303,39 | 25 | 5,95 |
| 107 254 00 | 54 | 336,6 | 327,64 | 25 | 7,00 |
| 107 257 00 | 57 | 355,4 | 345,81 | 25 | 7,76 |
| 107 260 00 | 60 | 373,0 | 363,99 | 25 | 8,37 |
| 107 265 00 | 65 | 403,2 | 394,29 | 25 | 10,13 |
| 107 270 00 | 70 | 433,6 | 424,60 | 30 | 11,84 |
| 107 272 00 | 72 | 447,0 | 436,74 | 30 | 12,67 |
| 107 276 00 | 76 | 469,9 | 460,99 | 30 | 14,14 |
| 107 280 00 | 80 | 494,2 | 485,22 | 30 | 14,79 |
| 107 283 00 | 95 | 585,1 | 576,17 | 30 | 25,00 |

Náboje s predvrtaným
dierami strana 96

