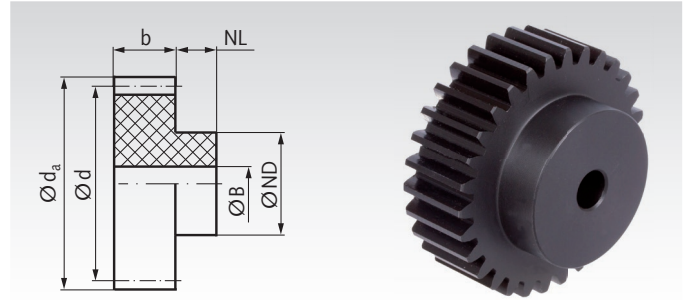


## Spur Gears made from POM, Black, wide Version, with One-Sided Hub, Straight Tooth System, Milled Teeth

Tooth quality 10d25 DIN 3967.  
 Pressure angle 20°.  
 Untoleranced dimensions in accordance with DIN ISO 2768 m.  
 Temperature limit: continuous 100°C, only short time 140°C.  
 Water absorption (satiated) 0.5% Cws.  
 Other material reference values page 1057.

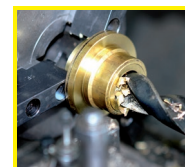


Order. Details: e.g.: Product No. 29311010, Spur Gear, POM black, Module 1, 10 Teeth

### Module 1 Tooth Width b = 15 mm

Product No.	Number of teeth	b mm	da mm	d mm	NL mm	ND mm	B <sup>J510</sup> mm	perm. MT* Nm	Weight g
293 110 10	10	15	12	10	10	8	4	0,12	1,6
293 110 12	12	15	14	12	10	9	4	0,17	2,2
293 110 13	13	15	15	13	10	10	4	0,20	3,0
293 110 14	14	15	16	14	10	11	4	0,23	4,0
293 110 15	15	15	17	15	10	12	6	0,26	4,3
293 110 16	16	15	18	16	10	13	6	0,27	5,0
293 110 17	17	15	19	17	10	14	6	0,29	6,0
293 110 18	18	15	20	18	10	15	6	0,33	6,8
293 110 19	19	15	21	19	10	15	6	0,39	7,0
293 110 20	20	15	22	20	10	16	6	0,44	8,3
293 110 21	21	15	23	21	10	16	6	0,50	8,0
293 110 22	22	15	24	22	10	18	6	0,54	9,0
293 110 23	23	15	25	23	10	18	6	0,60	10,0
293 110 24	24	15	26	24	10	20	8	0,68	11,5
293 110 25	25	15	27	25	10	20	8	0,74	12,3
293 110 26	26	15	28	26	10	20	8	0,81	13,0
293 110 27	27	15	29	27	10	20	8	0,89	14,0
293 110 28	28	15	30	28	10	20	8	0,96	14,9
293 110 30	30	15	32	30	10	20	8	1,14	16,8
293 110 32	32	15	34	32	10	25	8	1,32	21,3
293 110 35	35	15	37	35	10	25	8	1,64	25,0
293 110 36	36	15	38	36	10	25	8	1,74	25,7
293 110 38	38	15	40	38	10	25	8	1,98	28,0
293 110 40	40	15	42	40	10	25	8	2,22	30,7
293 110 42	42	15	44	42	10	25	8	2,49	35,0
293 110 45	45	15	47	45	10	30	8	2,94	40,6
293 110 48	48	15	50	48	10	30	8	3,42	45,0
293 110 50	50	15	52	50	10	30	8	3,68	48,4
293 110 52	52	15	54	52	10	35	8	3,81	55,0
293 110 55	55	15	57	55	10	40	8	4,04	65,0
293 110 56	56	15	58	56	10	40	8	4,11	66,4
293 110 60	60	15	62	60	10	40	8	4,43	73,9
293 110 65	65	15	67	65	10	45	10	4,82	90,0
293 110 70	70	15	72	70	10	50	10	5,21	100
293 110 72	72	15	74	72	10	50	10	5,36	109
293 110 75	75	15	77	75	10	50	10	5,58	116
293 110 80	80	15	82	80	10	60	10	5,96	141
293 110 85	85	15	87	85	10	60	10	6,33	154
293 110 90	90	15	92	90	10	60	10	6,71	169
293 111 00	100	15	102	100	10	60	10	7,44	200
293 111 20	120	15	122	120	10	60	10	8,91	240

\* Basis of calculations see page 235.



**Reworking within  
24h-service possible.  
Custom made parts  
on request.**