

## Slides DZ 2642, Width 12.7 mm, to 45 kg, Compact Profile, Full Extension

### Material:

Slide elements: Cold-rolled steel, bright zinc-plated.  
Ball retainers: Cold-rolled steel, zinc-plated.  
Balls: Hardened steel.

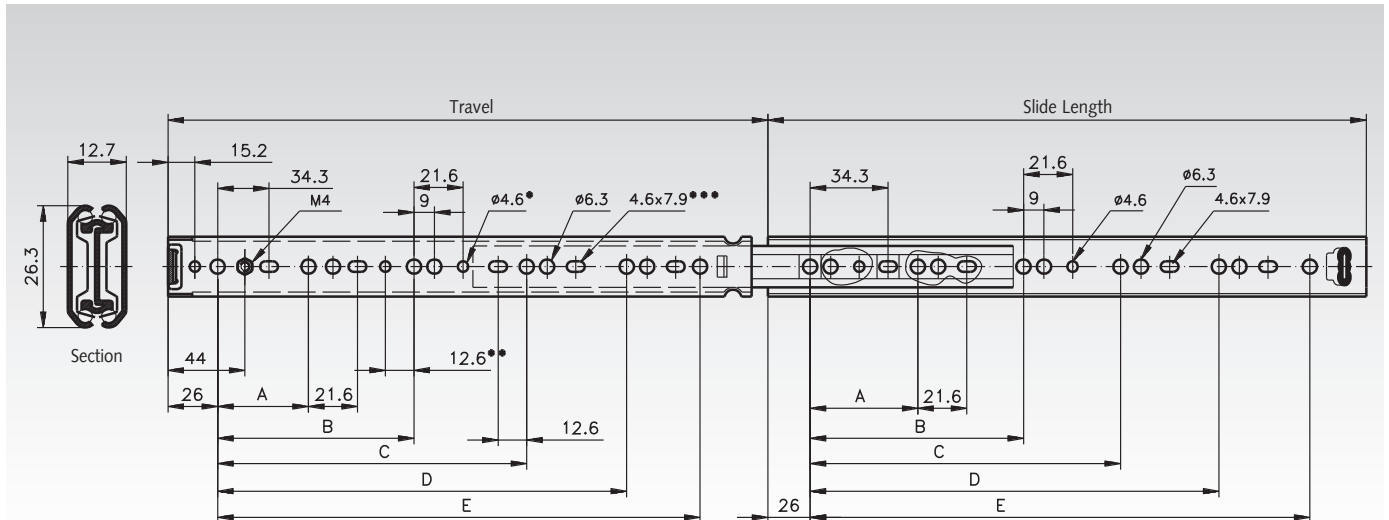
Telescopic ball bearing slides for applications in the industrial and electronics sector.

- Low slide profile.
- Groove or side mounting option.
- Hold-in in closed position.
- Very high service life 80,000 cycles.
- Temperature range: -20°C to +70°C.



Accuride

Ordering details: e.g.: Prod. No. 64900820, Slides DZ 2642



\* Not available for slide length 300 mm.

\*\* Only at slide length 400 mm.

\*\*\* Not available for slide length 400 mm.

Product No. per Pair	Type	Slide Length mm	Travel +/-3,2 mm	A mm	B mm	C mm	D mm	E mm	Load Rating per pair kg	Weight per Pair kg
649 008 20	DZ2642-0020	200	209	128	-	-	-	-	16	0,44
649 008 25	DZ2642-0025	250	259	128	-	-	-	-	25	0,55
649 008 30	DZ2642-0030	300	308	128	224	-	-	-	32	0,67
649 008 35	DZ2642-0035	350	357	128	224	-	-	-	35	0,78
649 008 40	DZ2642-0040	400	406	128	224	320	-	-	45	0,89
649 008 45	DZ2642-0045	450	456	128	224	352	-	-	45	1,01
649 008 50	DZ2642-0050	500	505	128	224	352	416	-	35	1,11
649 008 55	DZ2642-0055	550	554	128	224	352	448	489	30	1,23

### Note

Recommended mount: M4 screw/6mm Euro screw/4mm wood screw. Max. head. height 2mm/ Ø7.8mm.  
Use all mounting positions to achieve the max. load rating.  
Horizontal mounting is not recommended.



Hinges

Page 753