

Straight-Toothed Internal Gears, Steel

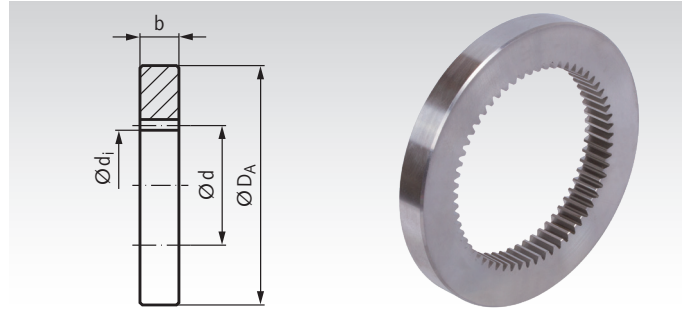
Material: Steel C45.

Tooth quality: 8, Teeth generated.

Pressure angle 20°.

Outside-diameter tolerance in accordance with DIN ISO 2768 middle.

Ordering Details: e.g.: Product No. 224 425 00, Internal Gear, Module 1, Width 10, 25 Teeth



Module 1 b = 10 mm, Steel C45

Product No.	Number of teeth	b mm	d mm	d _i mm	D _A mm	Weight g
224 425 00	25	10	25	23	50	113
224 430 00	30	10	30	28	55	128
224 436 00	36	10	36	34	60	141
224 440 00	40	10	40	38	65	156
224 445 00	45	10	45	43	70	180
224 448 00	48	10	48	46	75	198
224 450 00	50	10	50	48	75	185
224 460 00	60	10	60	58	85	213
224 470 00	70	10	70	68	95	249
224 472 00	72	10	72	70	100	294
224 480 00	80	10	80	78	105	275
224 490 00	90	10	90	88	115	306
224 410 00	100	10	100	98	125	342
224 412 00	120	10	120	118	150	488

Module 2.5 b = 25 mm, Steel C45

Product No.	Number of teeth	b mm	d mm	d _i mm	D _A mm	Weight kg
242 430 00	30	25	75	70	135	1,94
242 450 00	50	25	125	120	185	2,59
242 460 00	60	25	150	145	210	3,33
242 480 00	80	25	200	195	260	4,25
242 410 00	100	25	250	245	310	5,18
242 412 00	120	25	300	295	360	6,10

Module 1.5 b = 15 mm, Steel C45

Product No.	Number of teeth	b mm	d mm	d _i mm	D _A mm	Weight g
228 425 00	25	15	37,5	34,5	70	320
228 430 00	30	15	45	42	75	328
228 436 00	36	15	54	51	85	392
228 440 00	40	15	60	57	90	413
228 445 00	45	15	67,5	64,5	100	497
228 448 00	48	15	72	69	100	465
228 450 00	50	15	75	72	105	489
228 460 00	60	15	90	87	120	558
228 470 00	70	15	105	102	135	653
228 472 00	72	15	108	105	140	716
228 480 00	80	15	120	117	150	738
228 490 00	90	15	135	132	170	975
228 410 00	100	15	150	147	190	1241
228 412 00	120	15	180	177	220	1441

Module 3 b = 30 mm, Steel C45

Product No.	Number of teeth	b mm	d mm	d _i mm	D _A mm	Weight kg
243 430 00	30	30	90	84	160	3,24
243 450 00	50	30	150	144	220	4,79
243 460 00	60	30	180	174	250	5,57
243 480 00	80	30	240	234	310	7,12
243 410 00	100	30	300	294	370	8,68

Module 2 b = 16 mm, Steel C45

Product No.	Number of teeth	b mm	d mm	d _i mm	D _A mm	Weight g
241 430 00	30	16	60	56	95	530
241 436 00	36	16	72	68	107	599
241 440 00	40	16	80	76	115	662
241 445 00	45	16	90	86	125	729
241 448 00	48	16	96	92	131	761
241 450 00	50	16	100	96	135	783
241 455 00	55	16	110	106	145	865
241 460 00	60	16	120	116	155	930
241 465 00	65	16	130	126	165	999
241 470 00	70	16	140	136	175	1070
241 472 00	72	16	144	140	185	1313
241 480 00	80	16	160	156	195	1202
241 490 00	90	16	180	176	220	1538
241 410 00	100	16	200	196	240	1711
241 412 00	120	16	240	236	280	2014