

## Rubber-Metal Fastening-Bushes Maed-Flex

**Material:** Elastomer: Chloroprene (CR), hardness 75+/-5° Shore A.  
Metal part (nut): Steel, zinc-plated.

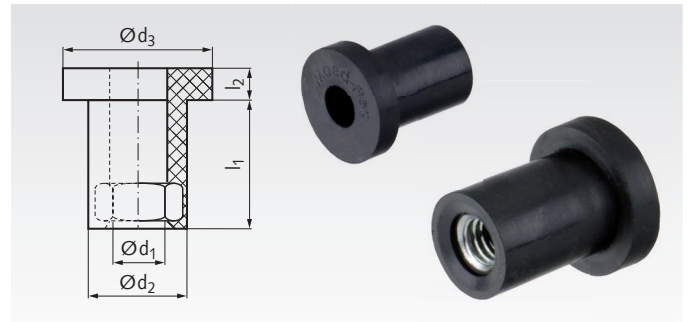
Standard components for elastic mounting.  
The grade of rubber used has perfect physical properties.

- Quick and easy to mount.
- Reduces noise and vibrations.
- Versatile usage with various mounting possibilities.

Temperature range: -40°C up to +80°C.

Other sizes, Shore hardnesses or elastomer types on request.

Ordering Details: e.g.: Product No. 685 510 03, Maed-Flex, M3



Product No.	d <sub>1</sub> mm	d <sub>2</sub> mm	d <sub>3</sub> mm	l <sub>1</sub> mm	l <sub>2</sub> mm	Mounting Bore D <sub>B</sub> mm	S* mm	Weight g
685 510 03	M3	7,0	9	9	2,5	7,0 - 7,3	0,6 - 2,5	1,0
685 510 04	M4	9,0	12	12	3,0	9,0 - 9,3	0,5 - 2,8	1,7
685 510 05	M5	10,2	15	15	3,5	10,2 - 10,5	0,5 - 3,8	3,0
685 510 06	M6	12,7	18	17	4,0	12,7 - 13,0	1,5 - 5,0	5,3
685 510 08	M8	16,0	24	22	5,0	16,0 - 16,3	1,5 - 6,5	11,0

\* See mounting examples.

### Mounting Examples

