

Shaft Collars, Clamp Collars Single-Split, Type K with Clamping Lever

Material: Steel C45, black oxide finish, or zinc-plated.
Stainless steel 1.4305 (AISI 303) or aluminium.
Handle: Zinc die-cast, plastic coated, black.
Screw: Stainless steel 1.4305 (AISI 303).

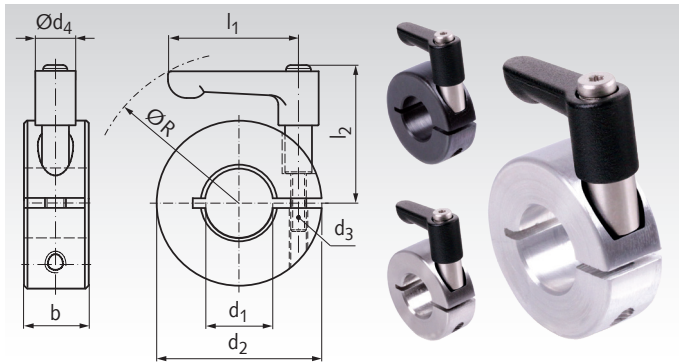


Features: does not damage the shaft, stronger clamping force than with set collars, even distribution of clamping forces, precise bores.

The disengageable, adjustable clamping lever enables an easy readjustment without tools.

Tolerance b: +0.08 mm
-0.25 mm

Temperature resistant up to +90°C.



Ordering Details: e.g.: Product No. 623 105 00K, Clamp Collar K with Clamp Lever, Steel black, 5 mm Bore

Product No. Steel black	Product No. Steel zinc-plated	Product No. Stainless Steel	Product No. Aluminium	d ₁ mm	d ₂ mm	b mm	l ₁ mm	l ₂ mm	d ₃ mm	d ₄ mm	R _{max.} mm	Weight Steel g	Weight Alu g
623 105 00K	623 881 05K	623 991 05K	623 661 05K	5	16	9	22	30,9	M3x10	10,5	70,3	27	19
623 106 00K	623 881 06K	623 991 06K	623 661 06K	6	16	9	22	30,9	M3x10	10,5	70,3	26	18
623 108 00K	623 881 08K	623 991 08K	623 661 08K	8	18	9	22	30,9	M3x10	10,5	69,5	28	20
623 110 00K	623 881 10K	623 991 10K	623 661 10K	10	24	9	22	30,9	M3x10	10,5	67,5	40	24
623 111 00K	623 881 11K	623 991 11K	623 661 11K	11	28	11	30	36,6	M4x12	13	83	66	39
623 112 00K	623 881 12K	623 991 12K	623 661 12K	12	28	11	30	36,6	M4x12	13	83	65	39
623 114 00K	623 881 14K	623 991 14K	623 661 14K	14	30	11	30	36,6	M4x12	13	83	70	40
623 115 00K	623 881 15K	623 991 15K	623 661 15K	15	34	13	30	39,1	M5x14	13	87	94	52
623 116 00K	623 881 16K	623 991 16K	623 661 16K	16	34	13	30	39,1	M5x14	13	87	92	51
623 118 00K	623 881 18K	623 991 18K	623 661 18K	18	36	13	30	39,1	M5x14	13	87	100	53
623 120 00K	623 881 20K	623 991 20K	623 661 20K	20	40	15	45	45,3	M6x16	13	109	140	75
623 122 00K	623 881 22K	623 991 22K	623 661 22K	22	42	15	45	45,3	M6x16	13	108	148	79
623 125 00K	623 881 25K	623 991 25K	623 661 25K	25	45	15	45	45,3	M6x16	13	107	154	82
623 128 00K	623 881 28K	623 991 28K	623 661 28K	28	48	15	45	45,3	M6x16	13	105	168	86
623 130 00K	623 881 30K	623 991 30K	623 661 30K	30	54	15	45	45,3	M6x16	13	107	212	101
623 132 00K	623 881 32K	623 991 32K	623 661 32K	32	54	15	45	45,3	M6x16	13	107	200	96
623 135 00K	623 881 35K	623 991 35K	623 661 35K	35	57	15	45	47,3	M6x18	13	112	215	102
623 136 00K	623 881 36K	623 991 36K	623 661 36K	36	57	15	45	47,3	M6x18	13	112	207	100
623 138 00K	623 881 38K	623 991 38K	623 661 38K	38	60	15	45	47,3	M6x18	13	114	227	107
623 140 00K	623 881 40K	623 991 40K	623 661 40K	40	60	15	45	47,3	M6x18	13	114	211	100
623 142 00K	623 881 42K	623 991 42K	623 661 42K	42	73	19	78	67,8	M8x25	21	167	532	281
623 145 00K	623 881 45K	623 991 45K	623 661 45K	45	73	19	78	67,8	M8x25	21	167	500	271
623 148 00K	623 881 48K	623 991 48K	623 661 48K	48	78	19	78	67,8	M8x25	21	164	560	295
623 150 00K	623 881 50K	623 991 50K	623 661 50K	50	78	19	78	67,8	M8x25	21	164	533	283
623 155 00K	623 881 55K	623 991 55K	-	55	82	19	78	67,8	M8x25	21	163	548	-
623 160 00K	623 881 60K	623 991 60K	-	60	88	19	78	67,8	M8x25	21	166	605	-

Usage

The handle of the lever is disengageable. By lifting the handle, the serrations are disengaged. Now the handle can be turned into the best direction, for tightening, for remaining or loosening. When the lever is released, the serration re-engages automatically because of the spring tension. In re-engaged position, the lever enables the tightening and loosening for an easy positioning of the ring, without tools. Please refer to the safety notes below.

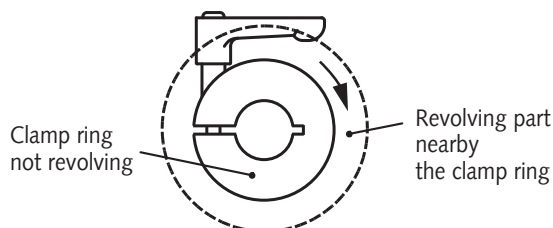
Lever as Spare Part

Singly lever, as a spare part or to be used with other types of clamp rings. More information and other sizes on page N136.

Product No. Clamp Lever	l ₁ mm	d ₃ mm	Weight g
665 783 11	22	M3x10	16
665 784 12	30	M4x12	26
665 785 13	30	M5x14	30
665 786 18	45	M6x16	42
665 786 20	45	M6x18	47
665 788 30	78	M8x25	152

Safety Notes

Use on fixed, non-revolving axles: To avoid an arresting hook, the clamp ring and the lever must be arranged with the handle-end pointing to the sense of rotation of a revolving part nearby. For the required minimum distance from the handle to the next revolving part, eventually existing safety regulations must be regarded.



Use on revolving shafts: To avoid an arresting hook, the clamp ring and the lever must be arranged with the handle-end pointing against the sense of rotation of the clamp ring. The revolving speed must be low, so that the lever will not create a big imbalance and centrifugal force. The machine parts must be safeguarded by a cover against access.

