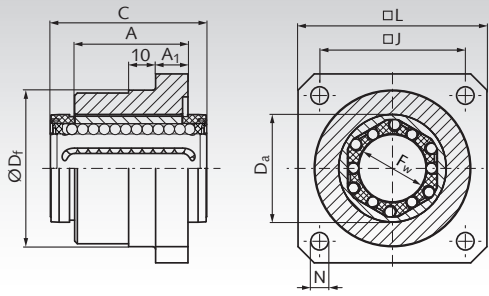


Linear Bearings Units KG-3-FST ISO Series 3, Flange Version, with Steel Linear Bearing of Closed Design



Material: Housing made from extruded aluminium, with precise milled mounting surface and alignment stud D_f . With a closed linear bearing ISO series 3 with steel jacket and plastic cage. All bearings are sealed on both sides and lubricated ready for installation.

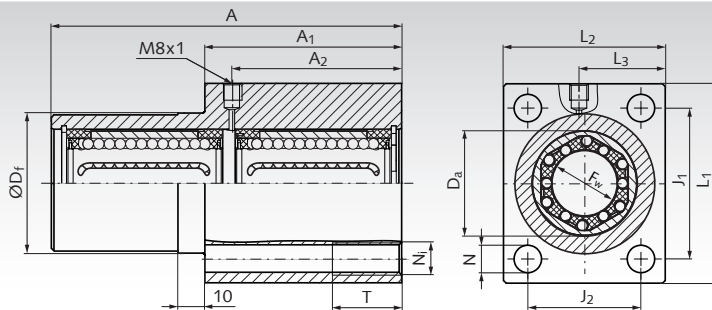
Recommended shaft tolerance h6.
Spare linear bearing page 557.

Ordering Details: e.g.: Product No. 646 712 06S, Linear Bearings Unit KG-3-FST, Flange Version, Internal \varnothing 12 mm

Product No.	F_w mm	A mm	A_1 mm	C mm	D_a mm	D_f g7 mm	J mm	L mm	N mm	Load Rating		Weight g
										dyn. C N	stat. C_0 N	
646 712 06S	12	22	6	32	22	32	30	40	5,5	555	800	80
646 716 06S	16	24	8	36	26	38	35	50	5,5	1045	910	120
646 720 06S	20	30	10	45	32	46	42	60	6,6	1170	1400	210
646 725 06S	25	42	12	58	40	58	54	70	6,6	1330	1600	430
646 730 06S	30	50	14	68	47	66	60	80	9	2120	2800	650
646 740 06S	40	59	16	80	62	90	78	100	11	2920	4100	1370

Shaft steel page 539. Shaft blocks page 549.

Linear Bearings Units KG-3-FTST ISO Series 3, Tandem-Flange Version, with Linear Bearings of Closed Design



Material: Housing made from extruded aluminium with two closed linear bearings of the ISO Series 3 with steel jacket and plastic cage. All bearings are sealed on both sides and lubricated ready for installation.

Recommended shaft tolerance h6.
Spare linear bearing page 557.

Ordering Details: e.g.: Product No. 646 712 07S, Linear Bearings Unit KG-3-FTST, Tandem-Flange Version, Internal \varnothing 12 mm

Product No.	F_w mm	A mm	A_1 mm	A_2 mm	D_a mm	D_f g7 mm	J_1 mm	J_2 mm	L_1 mm	L_2 mm	L_3 mm	N mm	N_i mm	T mm	Load Rating		Weight g
															dyn. C N	stat. C_0 N	
646 712 07S	12	76	46	36	22	30	32	24	42	34	19	5,3	M6	13	905	1304	200
646 716 07S	16	84	50	40	26	35	38	28	50	40	22	6,6	M8	18	1703	1483	320
646 720 07S	20	104	60	50	32	42	45	35	60	50	27	8,4	M10	22	1907	2282	550
646 725 07S	25	130	73	63	40	52	56	42	74	60	32	10,5	M12	26	2168	2608	1170
646 730 07S	30	152	82	74	47	61	64	50	84	70	37	13,5	M16	34	3456	4564	1500

Shaft steel page 539. Shaft blocks page 549.