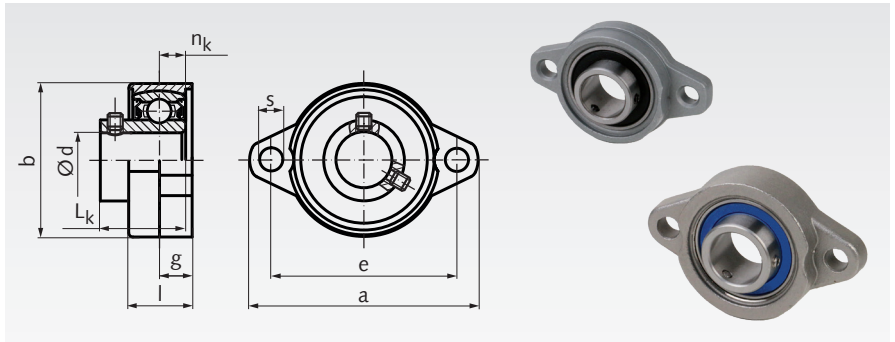


Ball Flange Bearings KFL and SSKFL, light series

Material KFL: Housing: from Zinc die cast,
Rolling bearing: from bearing steel.

Material SSKFL: Housing: Stainless steel
1.4301 (AISI 304). Rolling bearing:
Stainless steel 1.4125 (AISI 440C), lubricated with
grease FM 222 for food processing machinery, with
registration FDA, CIFA, KPF2K-20, NSF H1.

The rolling bearing can be swiveled when mounting
to compensate shaft misalignment. The shaft will
get fastened with 2 set screws. Lubricated for life at
normal operating conditions.



Ordering Details: e.g.: Product No. 626 608 00, Ball Flange Bearing KFL 08, Bore 8mm

Product No. KFL	Product No. SSKFL	No.	d mm	a mm	b mm	e mm	g mm	l mm	s mm	L _k mm	n _k mm	Bearing-Load Rating ¹⁾				Weight KFL g	Weight SSKFL g
												KFL		SSKFL			
												dyn. C kN	stat.C ₀ kN	dyn. C kN	stat.C ₀ kN		
626 608 00	-	08	8	48	27	37	4,5	8,5	4,8	11,5	3,5	4,2	1,6	-	-	50	-
626 610 00	626 996 10	000	10	60	36	45	5,5	11,5	7	15 ²⁾	4	4,7	2,0	4,0	1,6	60	70
626 612 00	626 996 12	001	12	63	38	48	5,5	11,5	7	15 ²⁾	4	5,2	2,45	4,4	1,95	70	80
626 615 00	626 996 15	002	15	67	42	53	6,5	13	7	16,5	4,5	5,7	2,9	4,85	2,3	80	100
626 617 00	626 996 17	003	17	71	46	56	7	14	7	17,5	5	6,1	3,35	5,2	2,7	100	140
626 620 00	626 996 20	004	20	90	55	71	8	16	10	21	6	9,55	5,15	8,1	4,1	170	210
626 625 00	626 996 25	005	25	95	60	75	8	16	10	22,5	6	10,3	5,95	8,75	4,75	210	270

¹⁾ Maximum radial load if axial force = 0. The axial load rating is approx. 20% of the radial load rating.

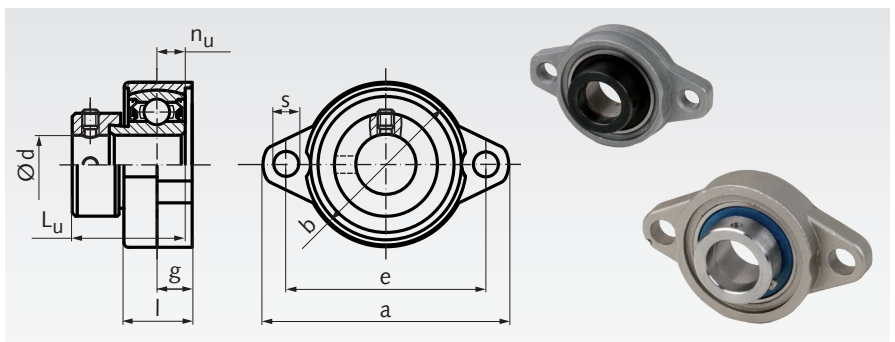
²⁾ For size SSKFL 000 the dimension is L_k 14mm and for size SSKFL 001 the dimension is L_k 14,5mm.

Ball Flange Bearings UFL and SSUFL, light series, with Eccentric Ring

Material UFL: Housing: from Zinc die cast,
Rolling bearing: from bearing steel.

Material SSUFL: Housing: Stainless steel
1.4301 (AISI 304). Rolling bearing:
Stainless steel 1.4125 (AISI 440C), lubricated with
grease FM 222 for food processing machinery, with
registration FDA, CIFA, KPF2K-20, NSF H1.

The rolling bearing can be swiveled when mounting
to compensate shaft misalignment. During
assembly, the eccentric ring and the inner bearing
ring are turned against each other to clamp the
shaft. The eccentric ring is additionally secured on
the shaft with 1 set screw. Lubricated for life at
normal operating conditions.



Ordering Details: e.g.: Product No. 626 710 00, Ball Flange Bearing UFL 000, Bore 10mm

Product No. UFL	Product No. SSUFL	No.	d mm	a mm	b mm	e mm	g mm	l mm	s mm	L _u mm	n _u mm	Bearing-Load Rating ¹⁾				Weight UFL g	Weight SSUFL g
												UFL		SSUFL			
												dyn. C kN	stat.C ₀ kN	dyn. C kN	stat.C ₀ kN		
626 710 00	626 997 10	000	10	60	36	45	5,5	11,5	7	17,5	4	4,6	1,98	4,0	1,6	60	80
626 712 00	626 997 12	001	12	63	38	48	5,5	11,5	7	17,5	4	5,1	2,27	4,4	1,95	70	90
626 715 00	626 997 15	002	15	67	42	53	6,5	13	7	18,5	4,5	5,6	2,55	4,85	2,3	90	120
626 717 00	626 997 17	003	17	71	46	56	7	14	7	21,0 ²⁾	5	6,0	2,84	5,2	2,7	110	140
626 720 00	626 997 20	004	20	90	55	71	8	16	10	25,5 ²⁾	6	9,35	4,55	8,1	4,1	210	250
626 725 00	626 997 25	005	25	95	60	75	8	16	10	25,5	6	10,1	5,05	8,75	4,75	220	280

¹⁾ Maximum radial load if axial force = 0. The axial load rating is approx. 20% of the radial load rating.

²⁾ For size SSUFL 003 the dimension is L_u 20,5mm and for size SSUFL 004 the dimension is L_u 24,5mm.

Shaft Connection with Eccentric Ring

The eccentric ring has an eccentric recess, a radial bore for hook wrench with pin
and a set screw. The inner ring of the bearing insert has an eccentric shoulder. For
assembly, the eccentric ring and the inner bearing ring must be turned against
each other to clamp the shaft. Finally the eccentric ring must be secured with the
set screw.

